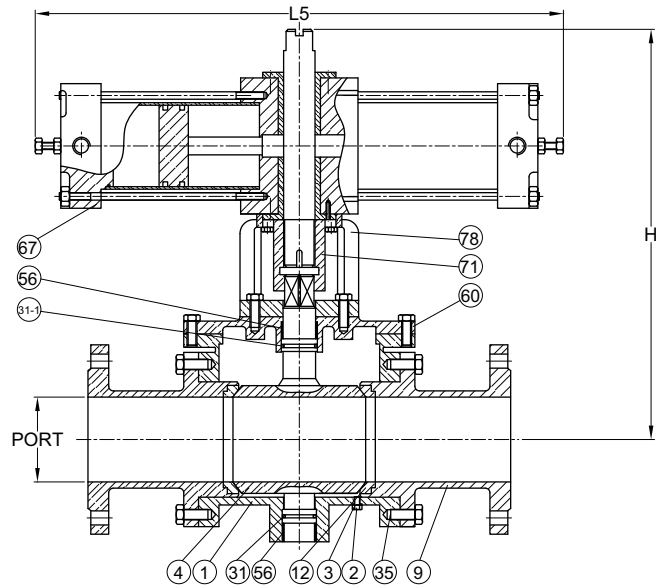
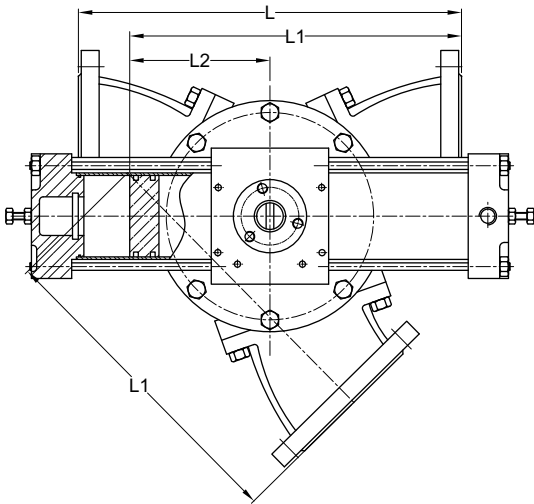


**Fig No: BDV 2"~10"**



### MATERIALS LIST

| NO.  | PART NAME  | MATERIALS    |
|------|------------|--------------|
| 1    | BODY       | 304/316      |
| 2    | PLUG       | 304          |
| 3    | BACK SEAT  | SILINONE     |
| 4    | BALL       | 304/316      |
| 9    | BODY CAP   | 304/316      |
| 12   | BACK SEAT  | TEFLON       |
| 31   | O-RING     | NBR OR VITON |
| 31-1 | O-RING     | NBR OR VITON |
| 35   | BOLT       | 304          |
| 56   | BEARING    | AL+PTFE.     |
| 60   | TOP FLANGE | 304/316      |
| 67   | ACTUATOR   | AL ALLOY     |
| 71   | JOINT      | SS41         |
| 78   | FRAME      | WCB          |

### DIMENSIONS

unit:mm

| SIZE   | PORT  | L     | L1    | L2    | L5     | H     | Cylimder SIZE |
|--------|-------|-------|-------|-------|--------|-------|---------------|
| 2"     | 50.0  | 280.0 | 224.0 | 84.0  | 500.0  | 330.0 | AC100         |
| 2-1/2" | 65.0  | 320.0 | 264.0 | 104.0 | 500.0  | 365.0 | AC100         |
| 3"     | 75.0  | 360.0 | 291.0 | 111.0 | 500.0  | 375.0 | AC100         |
| 4"     | 100.0 | 460.0 | 384.0 | 154.0 | 600.0  | 435.0 | AC125         |
| 5"     | 125.0 | 560.0 | 483.0 | 203.0 | 700.0  | 505.0 | AC150         |
| 6"     | 150.0 | 660.0 | 547.0 | 227.0 | 700.0  | 510.0 | AC180         |
| 8"     | 200.0 | 800.0 | 677.0 | 277.0 | 700.0  | 580.0 | AC180         |
| 10"    | 250.0 | 960.0 | 810.0 | 330.0 | 1110.0 | 650.0 | AC200         |