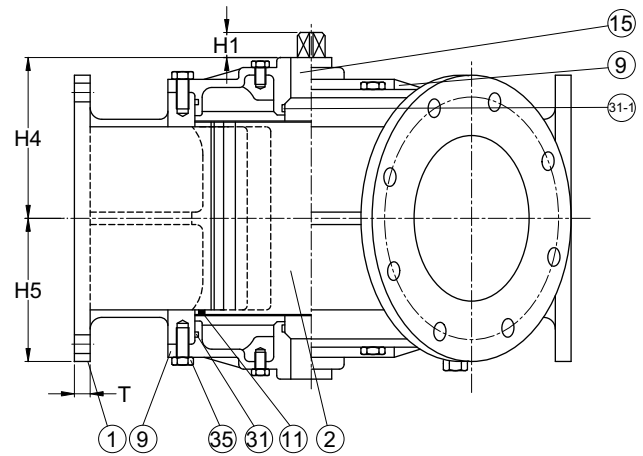
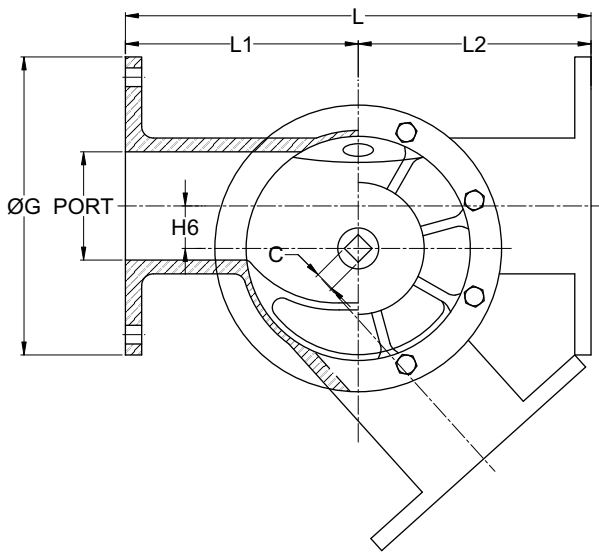


Fig No: CPV 2"~14"



MATERIALS LIST

NO.	PART NAME	MATERIALS
1	BODY	CF 8 / CF 8M
2	PLUG	CF 8 / CF 8M
9	COVER	CF 8 / CF 8M
11	SEAL RING	NBR OR VITON
15	BUSH	AL+PTFE.
31	O-RING	NBR OR VITON
31-1	O-RING	NBR OR VITON
35	BOLT	SUS304

DIMENSIONS

SIZE	PORT	L	L1	L2	H1	H4	H5	H6	C	ØG	T	Cylinder SIZE
2"	50.0	280.0	120.0	150.0	25.0	105.0	80.0	18.0	20.0	155.0	15.0	AC-100
2-1/2"	65.0	320.0	140.0	180.0	25.0	118.0	90.0	19.0	20.0	175.0	15.0	AC-100
3"	75.0	320.0	140.0	180.0	25.0	118.0	90.0	19.0	20.0	185.0	18.0	AC-100
4"	100.0	380.0	180.0	200.0	30.0	140.0	110.0	27.0	24.0	210.0	18.0	AC-125
5"	125.0	425.0	200.0	225.0	30.0	155.0	125.0	35.0	24.0	250.0	20.0	AC-150
6"	150.0	480.0	230.0	250.0	35.0	195.0	160.0	39.0	30.0	280.0	22.0	AC-180
8"	200.0	570.0	270.0	420.0	40.0	220.0	180.0	55.0	37.0	330.0	22.0	AC-180
10"	250.0	700.0	330.0	470.0	50.0	270.0	220.0	68.0	37.0	400.0	24.0	AC-200
14"	350.0	900.0	410.0	490.0	70.0	350.0	270.0	90.0	37.0	533.0	24.0	AC-200

unit:mm