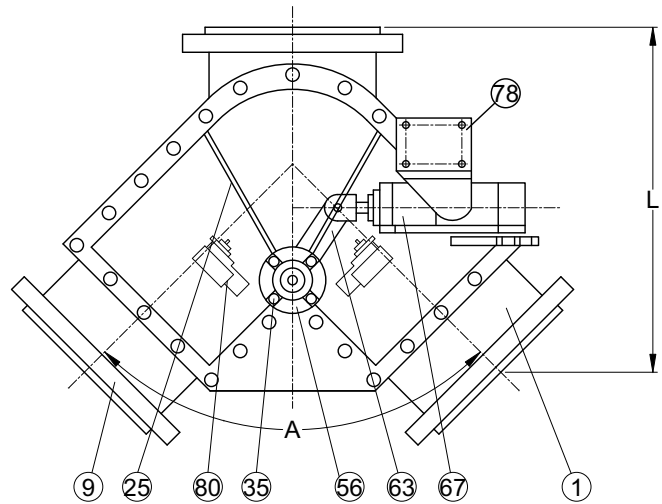
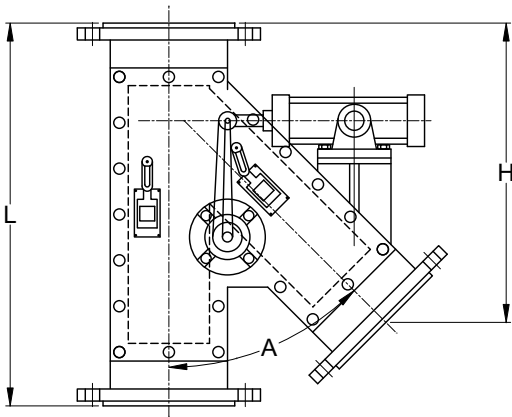


Fig No: DDV 2"~ 12"

MATERIALS LIST

NO.	PART NAME	MATERIALS
1	BODY	304
9	FLANGE	304
25	PLATE	304
35	BOLT	304
56	BEARING	
63	ARM	SUS304
67	CYLINDER	AL ALLOY
78	YOKE	SUS304
80	LIMIT SWITCH	



DIMENSIONS

unit:mm

SIZE		2"	2-1/2"	3"	4"	5"	6"	8"	10"	12"
L	A	30°	400.0	435.0	455.0	505.0	545.0	600.0	690.0	915.0
		45°	260.0	280.0	290.0	315.0	335.0	365.0	415.0	485.0
		60°	182.0	193.0	198.0	210.0	220.0	235.0	260.0	290.0
H	A	30°	448.0	485.0	515.0	570.0	615.0	675.0	780.0	1050.0
		45°	325.0	350.0	370.0	405.0	435.0	470.0	540.0	635.0
		60°	260.0	280.0	295.0	320.0	340.0	370.0	415.0	475.0

DIMENSIONS

unit:mm

SIZE		2"	2-1/2"	3"	4"	5"	6"	8"	10"	12"
L	A	50°	350.0	360.0	370.0	410.0	435.0	470.0	540.0	690.0
		60°	270.0	275.0	290.0	310.0	330.0	350.0	395.0	502.0
		90°	240.0	240.0	260.0	275.0	300.0	320.0	375.0	420.0