

Fig No: FGT-2500

1/2"~ 2" DN15 ~ DN50

Features :

2500Lb Forged steel gate valves are available in bonnet designs.

The design is the pressure seal bonnet, with a threaded and pressure seal bonnet joint.

Gate valve Design Construction and Specifications :

Gate valves conform to API602, BS5352, and ASME B16.34.

Each are tested according to API598

Marking is per MSS SP-25.

Construction is as follows :

Full Port or Conventional Port

Outside Screw and Yoke

Two piece self aligning packing gland

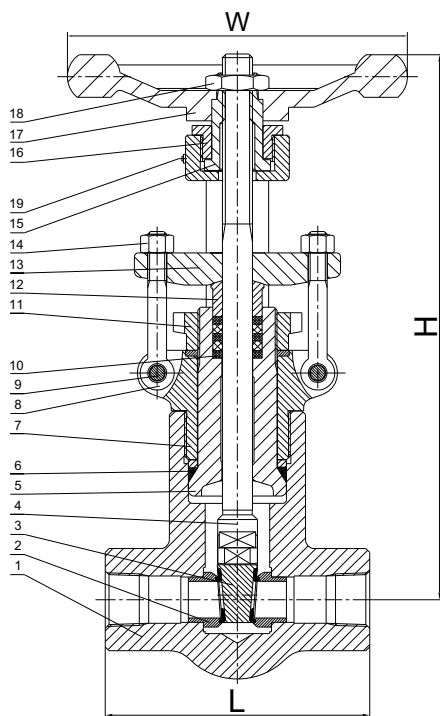
Bolted bonnet with spiral-wound gasket,

Integral backseat

Flange Ends to ASME B16.5

Socket weld Ends to ASME B16.11

Screwed Ends (NPT) to ANSI/ASME B1.20.1



DIMENSIONS

unit:mm

NPS	1/2"	3/4"	1"	1-1/4"	1-1/2"	2"
L(2500Lb)	186	186	186	232	232	279
H(Open)	321	321	321	380	414	502
W	160	160	180	220	250	280
Weights(kg)	12.3	11.6	10.8	26.0	28.4	60.0

MATERIALS LIST

NO	Part Name	CS to ASTM	SS to ASTM	
		Type A105	Type A182 F304	Type A182 F304(L)
1	Body	A105	A182 F304(L)	A182 F316(L)
2	Seat Ring	A182 F6	A276 F304(L)	A276 F316(L)
3	Wedge	A182 F6	A182 F304(L)	A182 F316(L)
4	Stem	A182 F6	A182 F304(L)	A182 F316(L)
5	Pressure Seat	A105	A182 F304(L)	A182 F316(L)
6	Pressurering	F316+Graphite		
7	Bonnet	A105	A182 F304(L)	A182 F316(L)
8	Gland Eyebolt	A193 B7	A193 B8	
9	Pin	F304		
10	Stem Packing	Flexibte+Graphite		
11	P.S.Lock Nut	A182 F304	A182 F304(L)	A182 F304(L)
12	Gland	A276 410	A182 F316	
13	Gland Flange	A105	F304	
14	Gland Nut	A194 2H	A194 8	
15	Yoke Nut	A276-410		
16	Retaining Nut	A194 2H	A194 8	
17	Handwheel	60-40-18		
18	H.W.LOCK Nut	A194 2H	A194 8	
19	Oil Cup	Brass		

Other Materials Also Available On Requested