

Fig no. HPV-41FS Full Bore
1/4" ~ 2" DN 8- DN 50



Features :

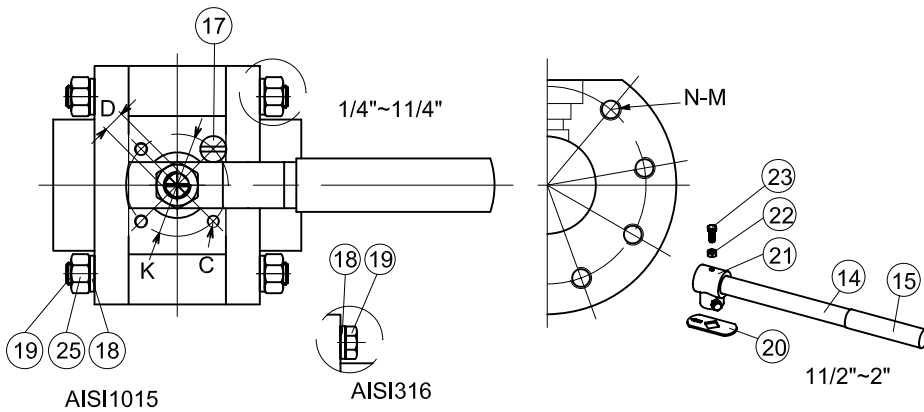
- BS 6755 PART2 API 607 5th Fire safe approved**
- Bar material valve body, ISO 5211 Mounting flange
- Blow out proof stem, Anti-static design
- 360 degree rotation design, in-line maintenance
- For Chemical, Industrial application
- Carbon Steel, Super Alloy available upon request

Standard Compliance

- Body wall thickness : EN 12516-1/2
- Socket weld : B16.11
- Face to face : MD's standard
- Body material : DIN
- Pressure testing : EN12266
- Fire safe testing : API 607 5th, BS6755 PART 2 ISO 10497**

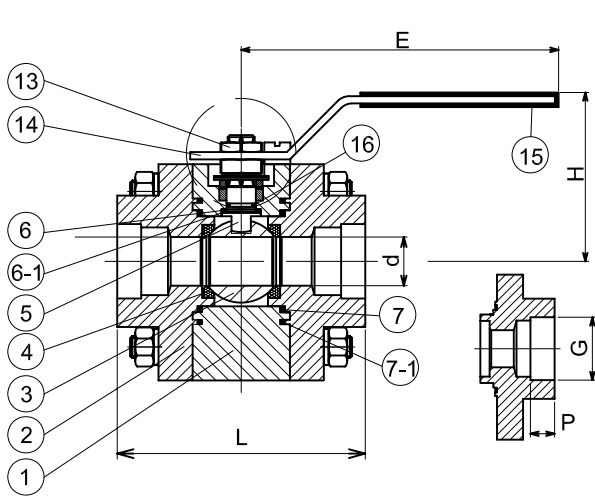
Specification :

- End Connection : Socket weld end
- Working pressure : 410 bar (CWP)
- Temperature : -20°C to 80°C for Delrin seat
-20°C to 250°C for Peek seat



MATERIALS

NO	PART NAME	MATERIAL
1	BODY	AISI 1025 (1.1158)
2	CAP	AISI 1025 (1.1158)
3	BALL	ASTM A351 Gr.CF8M
4	BALL SEATS	Delrin/ Peek
5	STEM	17-4PH
6	THRUST WASHER	Graphite
6-1	THRUST WASHER	PTFE
7	END SEALS	Graphite
7-1	END SEALS	PTFE
8	STEM PACKING	Graphite
9	THRUST WASHER	TFM1600
10	GLAND BUSH	S.S.304
11	BELLEVILLE WASAER	SUS304-CSP
12	STOP	S.S.304
13	HANDLE NUT	S.S.304
14	HANDLE	S.S.304
15	HANDLE SLEEVE	VINYL GRIP
16	O-RING	VITON
17	STOPPER	S.S.304
18	SPRING WASHER	S.S.304
19	BOLT	S.S.304
20	STOP PLATE	S.S.304
21	STEM ADAPTER	CF8
22	NUT	A2-70
23	BOLT	S.S.304
25	NUT	S45C



DIMENSIONS

SIZE	d	L	E	H	D	K	C	h1	h2	N	M	G	P	
DN8	1/4"	9.5	85	151	61	9	36	M5	10.1	7	6	5/16-18UNC	14	10
DN10	3/8"	11.6	85	151	61	9	36	M5	10.1	7	6	5/16-18UNC	17.6	10
DN15	1/2"	16	89	151	67	9	42	M5	14.85	10.3	8	5/16-18UNC	21.7	10
DN20	3/4"	20	102	183	81	9	42	M5	12	10	8	5/16-18UNC	27.3	13
DN25	1"	25	111	183	97	11	42	M5	22.3	11.5	8	5/16-18UNC	33.9	13
DN32	1 1/4"	32	119	285	113	14	50	M6	33.2	17.5	8	3/8-16UNC	42.8	13
DN40	1 1/2"	38	126	285	117	14	50	M6	28	17.5	8	1/2-13UNC	48.7	13
DN50	2"	50	148	285	125	14	50	M6	28	17.5	8	9/16-12UNC	61	16