

Fig No: KF-307L/T Full Bore
1-1/2" ~ 12" DN40 ~ DN300



Features :

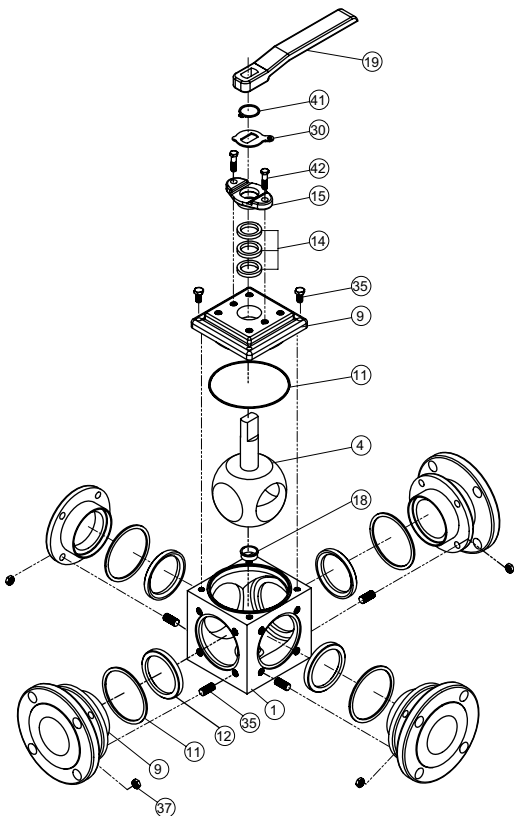
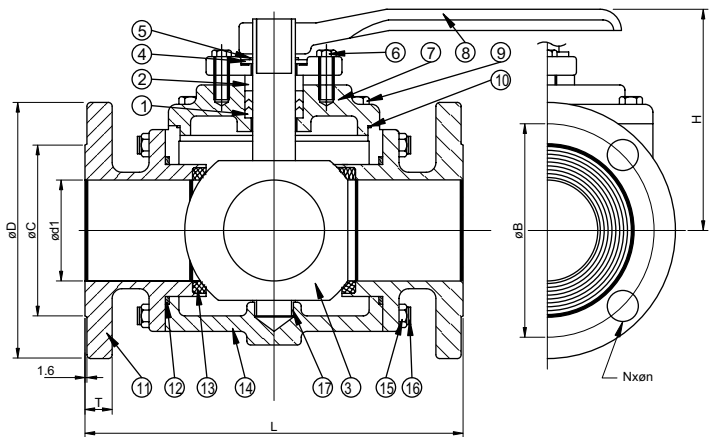
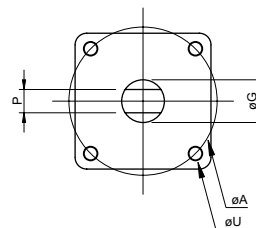
- Split Body Trunn Mounted
- 3 Way L / T port, solid ball, Anti-static design
- ISO 5211 Mounting Flange
- Temperature Range: -4 to 356°F (-20 to 180°C)

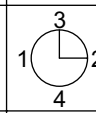
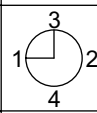
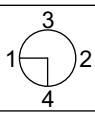
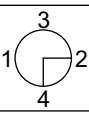
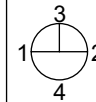
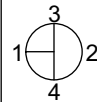
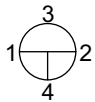
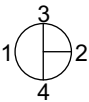
Standard Compliance :

- ASME/ANSI B16.34
- Face to Face: Mfg. Std.
- Flange Dimensions: ANSI B16.5 150
- Pressure Test According: API 598

MATERIALS LIST

NO	PART NAME	MATERIAL
1	BODY	ASTM A351 GR.CF8M
4	BALL & STEM	ASTM A351 GR.CF8M
9	COVER	ASTM A351 GR.CF8M
9	FLANGED FOR VALVE	ASTM A351 GR.CF8M
11	JOINT GASKET	Graphite
11	GASKET	Graphite
12	BALL SEAT	PTFE+25% CARBON
14	STEM PACKING	Graphite
15	GLAND	ASTM A351 GR.CF8
18	SLEEVE	PTFE+25% CARBON
19	HANDLE	FCD
30	STOPPER WASHER	S.S.304
35	BOLT	S.S.304
37	NUT	S.S.304
41	C RETAINER RING	S45C
42	BOLT	S.S.304



	A	B	C	D
L				
T				

DIMENSIONS

SIZE	øA	øB	øC	øD	øG	H	L	T	N	øN	øU	P	d1
1 1/2"	50	98.5	73	127	22	115	181	14.3	4	16	3/8	17	40
2"	70	120.5	92	152	22	122	220	15.9	4	19	3/8	17	50
2 1/2"	70	139.5	105	178	29.5	163	282	17.5	4	19	7/16	17	66
3"	102	152.5	127	190	29.5	175	285	19.1	4	19	7/16	17	76
4"	125	190.5	157	229	34	215	348	23.9	8	19	1/2	23	101
6"	125	241.5	216	279	45	256	425	25.4	8	22	1/2	35	151
8"	165	298.5	270	343	60	303	532	28.6	8	22	5/8	45	202
10"	165	362	324	406	60	330	700	30.2	12	25	5/8	45	250
12"	165	432	381	483	70	370	760	31.8	12	25	5/8	55	300