

Fig No: KF-307L/T Full Bore
1-1/2"~ 12" DN40 ~ DN300



Features :

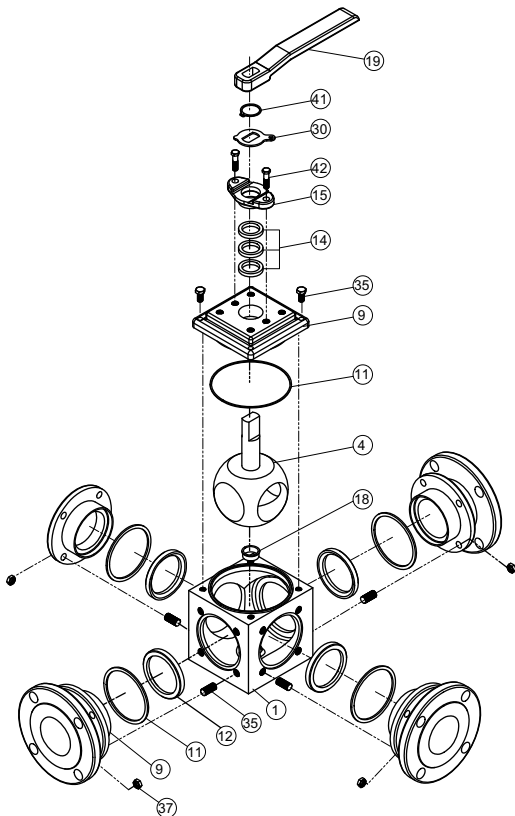
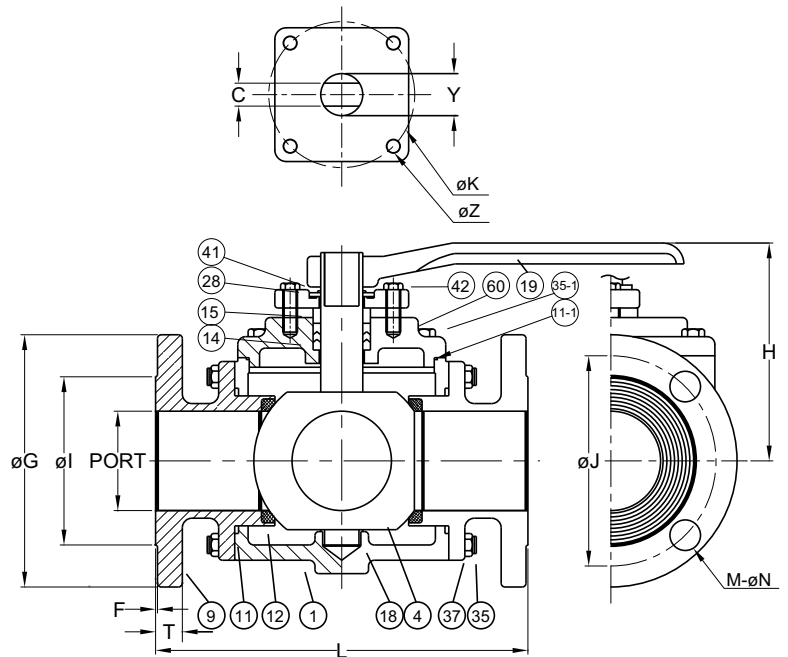
- Split Body Trunn Mounted
- 3 Way L / T port, solid ball, Anti-static design
- ISO 5211 Mounting Flange
- Temperature Range: -4 to 356°F (-20 to 180°C)

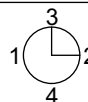
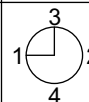
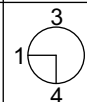
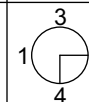
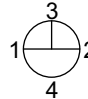
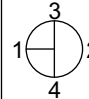
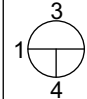
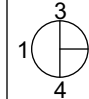
Standard Compliance :

- ASME/ANSI B16.34
- Face to Face: Mfg. Std.
- Flange Dimensions: JIS B2002
- Pressure Test According: API 598

MATERIALS LIST

NO.	PART NAME	MATERIAL	Q'TY
1	BODY	SCS14	1
4	BALL & STEM	SCS14	1
9	FLANGED FOR VALVE	SCS14	3
11	JOINT GASKET	PTFE.	3
11-1	GASKET	PTFE.	1
12	BALL SEAT	PTFE.	3
14	STEM PACKING	PTFE.	1
15	GLAND	ASTM A351 GR.CF8	1
18	SLEEVE	PTFE.	1
19	HANDLE	FCD	1
28	STOPPER	SS304	1
35	STUD	SS304	*
35-1	BOLT	SS304	#
37	NUT	SS304	*
41	C RETAINER RING	S45C	1
42	BOLT	SS304	2
60	COVER	SCS14	1



	A	B	C	D
L				
T				

DIMENSIONS

unit:mm

SIZE	PORT	L	H	C	Y	øG	øJ	øI	T	M-øN	øK	øZ
1-1/2"	40.0	181.0	115.0	17.0	22.0	140.0	105.0	85.0	16.0	4-ø19.0	50.0	3/8"
2"	50.0	220.0	122.0	17.0	22.0	155.0	120.0	100.0	16.0	8-ø19.0	70.0	3/8"
2-1/2"	66.0	283.0	163.0	17.0	29.5	175.0	140.0	120.0	18.0	8-ø19.0	70.0	7/16"
3"	76.0	278.0	175.0	17.0	29.5	185.0	150.0	130.0	18.0	8-ø19.0	102.0	7/16"
4"	101.0	333.0	215.0	23.0	34.0	210.0	175.0	155.0	18.0	8-ø23.0	125.0	1/2"
6"	151.0	428.0	256.0	35.0	45.0	280.0	240.0	215.0	22.0	8-ø23.0	125.0	1/2"
8"	201.0	530.0	303.0	45.0	60.0	330.0	290.0	265.0	22.0	12-ø23.0	165.0	5/8"
10"	250.0	703.0	330.0	45.0	60.0	400.0	355.0	325.0	24.0	12-ø25.0	165.0	5/8"
12"	300.0	760.0	370.0	55.0	70.0	445.0	400.0	370.0	24.0	16-ø25.0	165.0	5/8"