

**Fig No: KF-307L/T Full Bore**  
**1-1/2" ~ 12" DN40 ~ DN300**



**Features :**

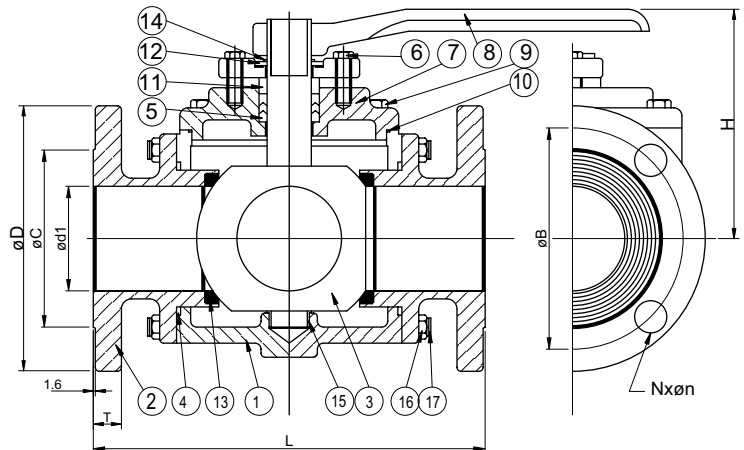
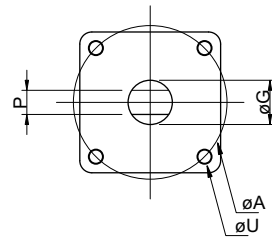
- Split Body Trunn Mounted
- 3 Way L / T port, solid ball, Anti-static design
- ISO 5211 Mounting Flange
- Temperature Range: -4 to 356°F (-20 to 180°C)

**Standard Compliance :**

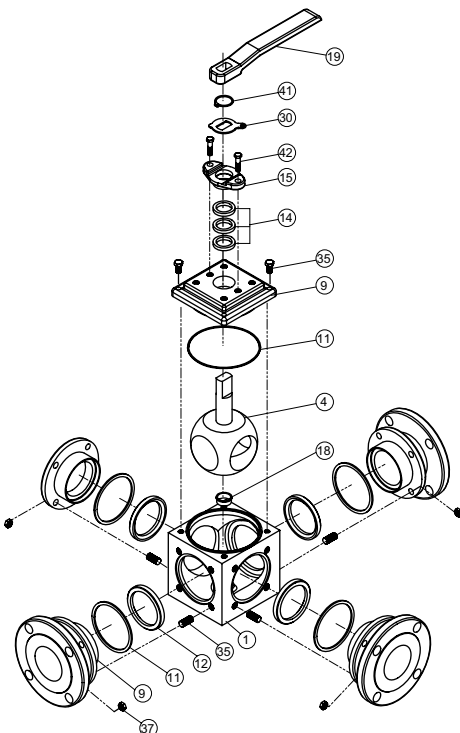
- ASME/ANSI B16.34
- Face to Face: Mfg. Std.
- Flange Dimensions: DIN 2501
- Pressure Test According To EN 12266-1

**MATERIALS LIST**

NO	PART NAME	MATERIAL	Q'TY
1	BODY	1.4408/EN 10213-4	1
4	BALL & STEM	ASTM A351 GR.CF8M	1
9	COVER	1.4408/EN 10213-4	1
9	END CAP	1.4408/EN 10213-4	3
11	BODY SEAL	PTFE	4
11	GASKET	PTFE	1
12	BALL SEAT	PTFE	4
14	STEM PACKING	PTFE	1SET
15	GLAND	ASTM A351 GR.CF8	1
18	SLEEVE	PTFE	1
19	HANDLE	FCD	1
30	STOPER WASHER	S.S.304	1
35	STUD	S.S.304	*
37	NUT	S.S.304	*
41	C RETAINER RING	S45C	1
42	BOLT	S.S.304	2



	A	B	C	D
L	1 3 2 4	1 3 2 4	1 3 2 4	1 3 2 4
T	1 3 2 4	1 3 2 4	1 3 2 4	1 3 2 4



**DIMENSIONS**

SIZE	øA	øB	øC	øD	øG	H	L	T	N	øn	øU	P	d1
1 1/2"	50	110	88	150	22	115	118	16	4	18	M8	17	40
2"	70	125	102	165	22	122	226	18	4	18	M8	17	50
2 1/2"	70	145	122	185	29.5	163	281	18	4	18	M8	17	66
3"	102	160	138	200	29.5	175	296	20	8	18	M10	17	76
4"	125	180	158	220	34	215	340	20	8	18	M12	23	101
5"	125	210	188	250	34	256	415	22	8	18	M12	23	125
6"	125	240	212	285	45	256	450	22	8	23	M12	35	151
8"	165	295	268	340	60	303	537	24	12	23	M16	45	201
10"	165	355	320	405	60	330	703	26	12	27	M16	45	250
12"	165	410	378	460	70	370	760	28	12	27	M16	55	300