

Fig No: KF-314 L/T Full Bore
1/2" ~ 3" DN15 ~ DN80



Features :

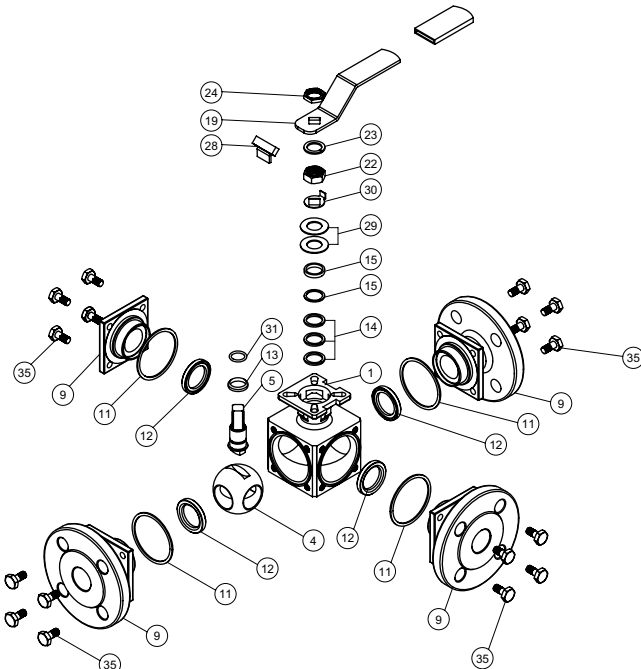
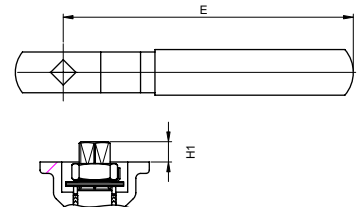
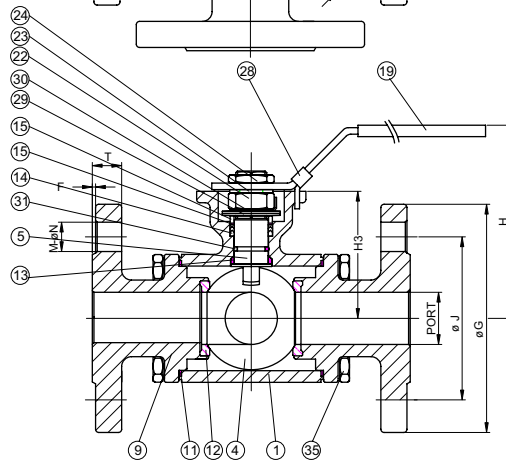
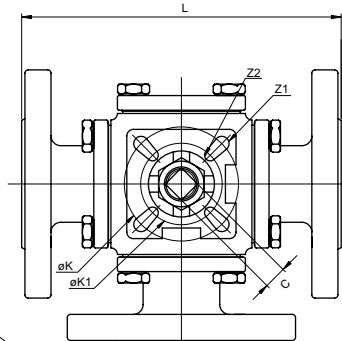
- Investment Cast Components
- Blow-out-proof stem design , Bottom entry stem
- Valve design allows 360 degree rotation, positive location is available at 90 degree increments
- ISO 5211 Mounting pad by the valve locking device
- For Food , General Chemical and Industrial application

Standard Compliance :

- ASME/ANSI B16.34
- Face to Face: Mfg. Std.
- Flange Dimensions: ANSI B16.5 150
- Pressure Test According To API 598

MATERIALS LIST

NO	PART NAME	MATERIAL
1	BODY	ASTM A351 GR.CF8M
4	BALL	ASTM A351 GR.CF8M
5	STEM	S.S.316
9	END CAP	ASTM A351 GR.CF8M
11	BODY SEAL	PTFE.
12	SEAT	PTFE.
13	THRUST WASHER	PTFE.
14	STEM PACKING	PTFE.
15	GLAND BUSH	S.S.304
15	GLAND WASHER	PTFE.
19	HANDLE	S.S.304
22	STEM NUT	S.S.304
23	STEM WASHER	S.S.304
24	HANDLE NUT	S.S.304
28	LOCKING PAD	S.S.304
29	BELLEVILLE WASHER	S.S.301
30	TAB WASHER	S.S.304
31	O-RING	VITON
35	BOLT	S.S.304



TYPE	PORT			
PORT	1	2	3	4
L	1 3	1 3	1 3	1 3
T	1 3	1 3	1 3	1 3

DIMENSIONS

unit:mm

SIZE	PORT	L	E	H	H1	H3	C	øG	øJ	T	F	øN	øK	øK1	Z1	Z2	
1/2"	16.0	147.0	133.0	89.0	7.5	50.0	9.0	95.0	65.0	16.0	2.0	4	14.0	42.0	36.0	6.0	6.0
3/4"	20.0	155.0	178.5	98.0	9.5	59.5	11.0	105.0	75.0	18.0	2.0	4	14.0	50.0	42.0	7.1	6.0
1"	25.0	170.0	178.5	102.0	11.0	63.5	11.0	115.0	85.0	18.0	2.0	4	14.0	50.0	42.0	7.1	6.0
1-1/4"	32.0	195.0	230.0	118.5	15.2	79.5	14.0	140.0	100.0	18.0	2.0	4	18.0	70.0	50.0	9.2	7.1
1-1/2"	38.0	240.0	230.0	127.0	14.3	88.0	14.0	150.0	110.0	18.0	2.0	4	18.0	70.0	50.0	9.2	7.1
2"	50.0	261.0	280.0	139.0	17.8	105.0	17.0	165.0	125.0	20.0	2.0	4	18.0	102.0	70.0	11.4	9.2
2-1/2"	65.0	270.0	250.0	117.3	41.5	165.7	17.0	185.0	145.0	18.0	2.0	4	18.0	102.0	70.0	11.0	9.0
3"	80.0	292.2	250.0	128.0	41.5	170.0	17.0	200.0	160.0	20.0	2.0	8	18.0	102.0	70.0	11.0	9.0