

**Fig No: KF-315 L/T Full Bore**  
**1/2"~ 4" DN15 ~ DN100**



**Features :**

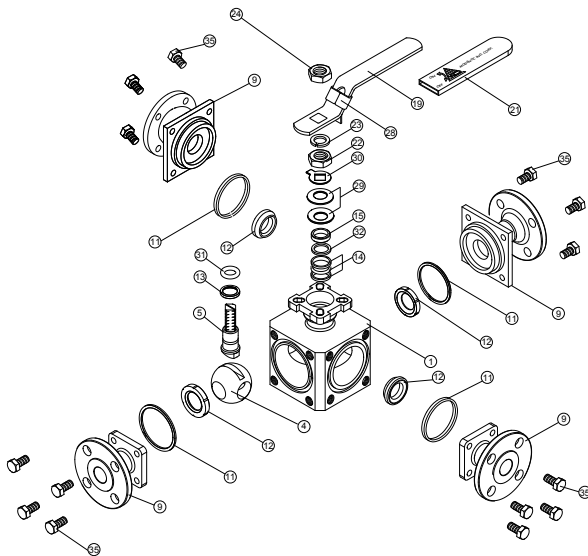
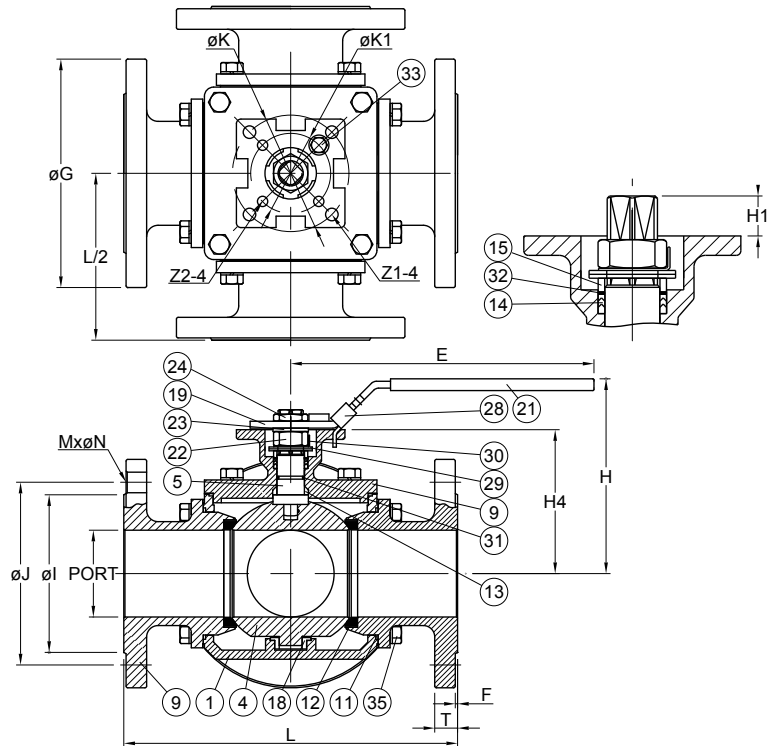
- Investment Cast Components
- Split Body design, Blow-out-proof stem design, Bottom entry stem
- Valve design allows 360 degree rotation, positive location is available at 90 degree increments by the valve locking device
- Direct-mounting of actuators to valves design
- For Food, General Chemical and Industrial application
- Carbon steel or special Alloy upon request

**Standard Compliance :**

- ASME/ANSI B16.34
- Face to Face: Mfg. Std.
- Flange Dimensions: EN1092-1
- Pressure Test According To EN12266-1

**MATERIAL LIST**

NO.	PART NAME	MATERIAL
1	BODY	1.4408 / EN1503-1
4	BALL	1.4408 / EN1503-1
5	STEM	SS316
9	END CAP	1.4408 / EN1503-1
11	BODY SEAL	PTFE.
12	SEAT	PTFE.
13	THRUST WASHER	PTFE.
14	STEM PACKING	PTFE.
15	GLAND BUSH	SS304
18	YOKE SLEEVE	PTFE.
19	HANDLE	SS304
21	HANDLE COVER	VINYL GRIP
22	STEM NUT	SS304
23	HANDLE WASHER	SS304
24	HANDLE NUT	SS304
28	LOCKING PAD	SS304(OPTION)
29	BELLEVILLE WASHER	SUS304-CSP
30	TAB WASHER	SS304
31	STEM O-RING	VITON
32	PACKING FOLLOWER	PTFE.+25%GF
33	STOP PIN	SS304
35	BODY BOLT	SS304



TURN PORT	0°	90°	180°	270°
L				
T				

**DIMENSION**

unit:mm

SIZE	PORT	L	E	H	H1	H4	C	øG	øJ	øI	T	F	MxøN	øK	øK1	Z1	Z2
DN15	1/2"	16	158	133	89	9.0	50.0	9	95	65	45	16	2	4Mxø14	42	6	
DN20	3/4"	20	169	178.5	98	9.5	59.5	11	105	75	58	18	2	4Mxø14	50	7	
DN25	1"	25	185	178.5	102	11.0	63.5	11	115	85	68	18	2	4Mxø14	50	7	
DN32	1-1/4"	32	195	230	118.5	15.2	79.5	14	140	100	78	18	2	4Mxø18	70	9	7
DN40	1-1/2"	38	232	230	127	14.3	88.0	14	150	110	88	18	2	4Mxø18	70	9	7
DN50	2"	50	250	250	139	17.8	105.0	17	165	125	102	20	2	4Mxø18	102	11	9
DN65	2-1/2"	65	270	250	117.3	17.5	165.7	17	185	145	122	18	2	4Mxø18	102	11	9
DN80	3"	76	292.2	250	170	17.5	12.80	17	200	160	138	20	2	8Mxø18	102	11	9
DN100	4"	100	360	300	230	23.0	165.0	22	220	180	158	20	2	8Mxø18	125	102	13