

Fig No. MD-27 Full Bore
1/2" ~ 6" DN15 ~ DN150



Feature :

- Investment Casting Component
- ISO 5211 mounting Flange
- Blow-out-proof stem, Anti-Static Design
- For General Chemical and Industrial application
- Carbon steel or Super Alloy upon request

Standard Compliance:

- Body wall thickness : B16.34
- Face to Face : ANSI B16.10 Class 300
- Flange Dimension : ANSI B16.5 Class 300
- Finish : 125- 250 AARH
- Body Material : ASTM A351
- Pressure testing : EN12266

Standard Compliance:

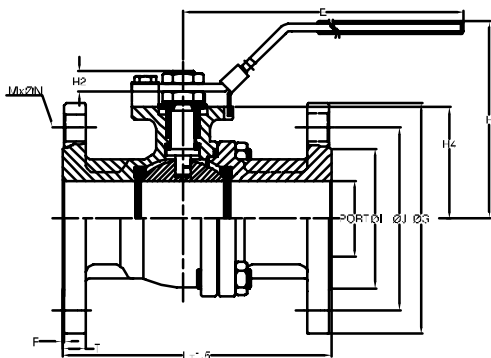
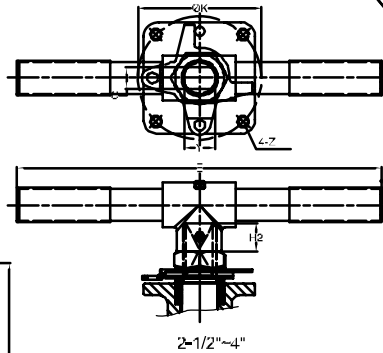
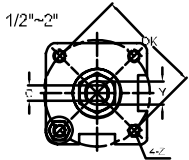
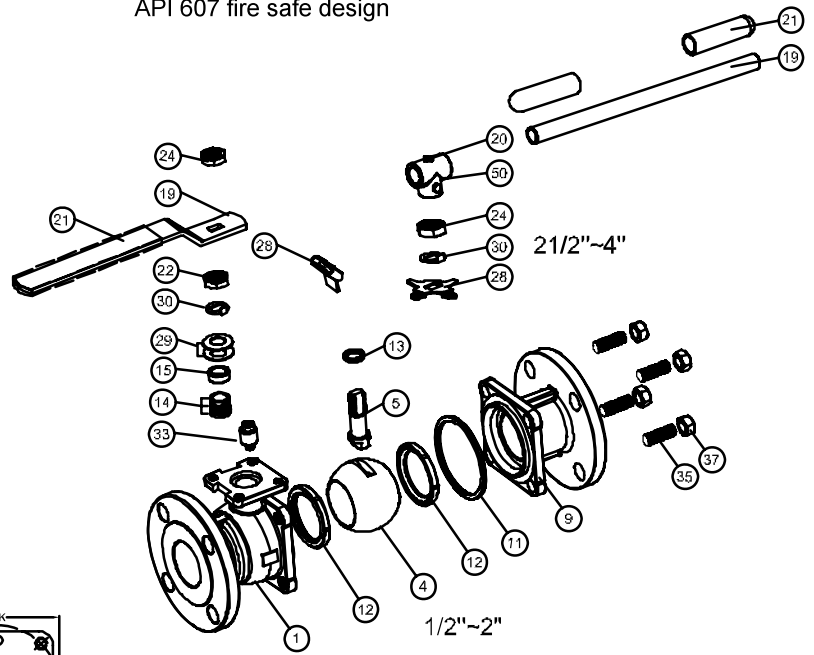
- End connection : Flange RF
- Working pressure : 720 psi (CWP)
- Temperature : -20 ~ 180° C

Option

- API 607 fire safe design

MATERIALS LIST

NO.	PART NAME	MATERIAL
1	BODY	ASTM A351 Gr.CF8M
4	BALL	ASTM A351 Gr.CF8M
5	STEM	SS316
9	END CAP	ASTM A351 Gr.CF8M
11	BODY SEAL	PTFE.
12	SEAT	PTFE.
13	THRUST WASHER	PTFE.
14	STEM PACKING	PTFE.
15	GLAND BUSH	SS304
19	HANDLE	STEEL
20	SET BOLT	SS304
21	HANDLE COVER	PLASTIC
24	HANDLE NUT	SS304
28	STOP PLATE	SS304
29	BELLEVILLE WASHER	SS301
30	TAB WASHER	SS304
33	STOP PIN	SS304
35	BODY BOLT	ASTM A193 Gr.B8
37	BOLT NUT	ASTM A194 Gr.8
50	HANDLE ADAPTER	ASTM A351 Gr.CF8



DIMENSIONS

SIZE	PORT	L	E	H	H2	H4	C	ØY	ØG	ØJ	ØI	I	F	M	ØN	ØK	unit:mm		
																	Z		
DN15	1/2"	15.0	140.0	132.0	80.0	8.5	38.5	6.35	12.0	35.3	66.5	35.0	14.3	1.6	4	16.0	42.0	M5*0.8P	10-24UNC
DN20	3/4"	20.0	152.0	132.0	84.5	8.5	42.5	6.35	12.0	117.4	82.6	43.0	15.9	1.6	4	19.1	42.0	M5*0.8P	10-24UNC
DN25	1"	25.0	165.0	165.0	102.0	12.0	52.0	8.0	14.0	124.0	88.9	51.0	17.5	1.6	4	19.1	50.0	M8*1.0P	1/4-20UNC
DN32	1-1/4"	32.0	178.0	165.0	102.0	12.0	56.0	8.0	14.0	133.4	98.6	63.5	19.1	1.6	4	19.1	50.0	M8*1.0P	1/4-20UNC
DN40	1-1/2"	38.0	190.0	200.0	125.0	12.0	65.3	9.5	16.0	155.6	114.3	73.2	20.7	1.6	4	22.3	70.0	M8*1.25P	5/16-18UNC
DN50	2"	50.0	215.0	200.0	132.0	12.0	73.8	9.5	16.0	165.1	127.0	92.0	22.3	1.6	8	19.1	70.0	M8*1.25P	5/16-18UNC
DN65	2-1/2"	64.0	241.0	300.0	176.8	12.0	92.5	17.0	28.0	190.5	149.4	104.7	25.4	1.6	8	22.3	102.0	M10*1.5P	3/8-16UNC
DN80	3"	76.0	283.0	300.0	185.5	23.0	101.7	17.0	28.0	209.6	168.1	127.0	28.6	1.6	8	22.3	102.0	M10*1.5P	3/8-16UNC
DN100	4"	100.0	305.0	450.0	200.0	23.0	119.0	17.0	28.0	254.0	200.2	157.2	31.8	1.6	8	22.3	102.0	M10*1.5P	3/8-16UNC

Fig No. MD-27 Full Bore
1/2" ~ 6" DN15 ~ DN150



Feature :

- Investment Casting Component
- ISO 5211 mounting Flange
- Blow-out-proof stem, Anti-Static Design
- For General Chemical and Industrial application
- Carbon steel or Super Alloy upon request

Standard Compliance:

- Body wall thickness : B16.34
- Face to Face : ANSI B16.10 Class 300
- Flange Dimension : ANSI B16.5 Class 300
- Finish : 125- 250 AARH
- Body Material : ASTM A351
- Pressure testing : EN12266

Standard Compliance:

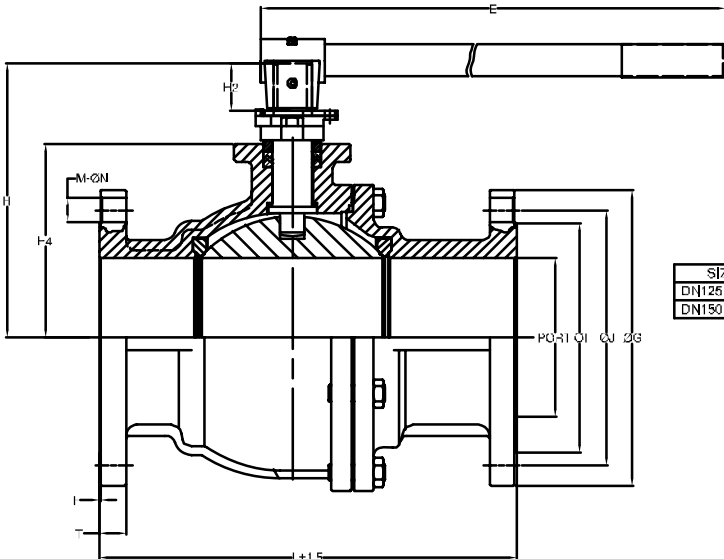
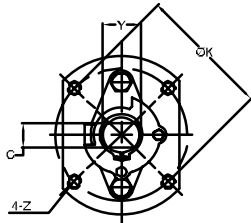
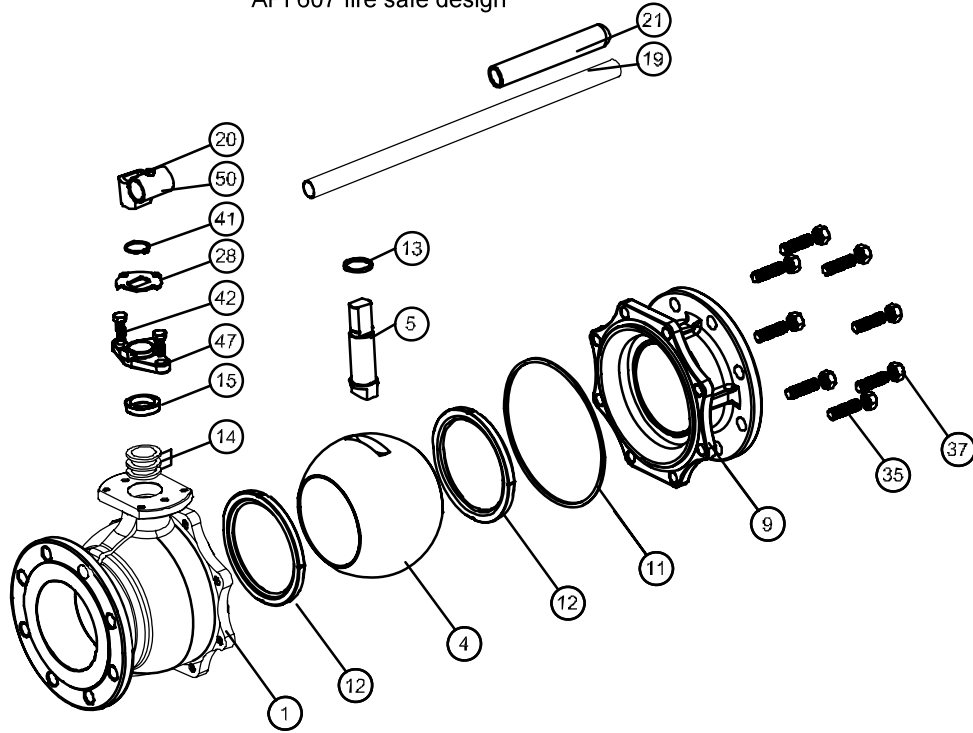
- End connection : Flange RF
- Working pressure : 720 psi (CWP)
- Temperature : -20 ~ 180° C

Option

- API 607 fire safe design

MATERIALS LIST

NO.	PART NAME	MATERIAL
1	BODY	ASTM A351Gr.CF8M
4	BALL	ASTM A351Gr.CF8M
5	STEM	SS316
9	END CAP	ASTM A351Gr.CF8M
11	BODY SEAL	PTFE.
12	SEAT	PTFE.
13	THRUST WASHER	PTFE.
14	STEM PACKING	PTFE.
15	GLAND BUSH	SS304
19	HANDLE	IRON
20	SET BOLT	SS304
21	HANDLE COVER	PLASTIC
28	STOP PLATE	SS304
35	BODY BOLT	ASTM A193 Gr.B8
37	BOLT NUT	ASTM A194 Gr.8
41	SNAP RING	SS304
42	GLAND BOLT	SS304
47	GLAND FLANG	SS.304
50	HANDLE ADAPTER	SS.304



DIMENSIONS

																	unit:mm	
SIZE	PORT	L	F	H1	H2	F4	C	ØV	ØG	ØJ	ØI	T	F	M	DN	ØK	Z	
DN125	5"	125.0	381.0	600.0	233.0	45.0	163.0	23.0	36.0	279.4	235.0	186.0	35.0	1.6	8	Ø22.3	125.0	M12*1.75P
DN150	6"	150.0	403.0	800.0	259.0	45.0	182.5	23.0	36.0	317.5	268.8	218.0	36.6	1.6	12	Ø22.3	125.0	M12*1.75P