

Fig No. MD-51 Reduced Bore
1" ~ 12" DN25 ~ DN300



Feature :

- Investment Casting Component
- ISO 5211 mounting Flange
- Blow-out-proof stem, Anti-Static Design
- For General Chemical and Industrial application
- Carbon steel or Super Alloy upon request

Standard Compliance:

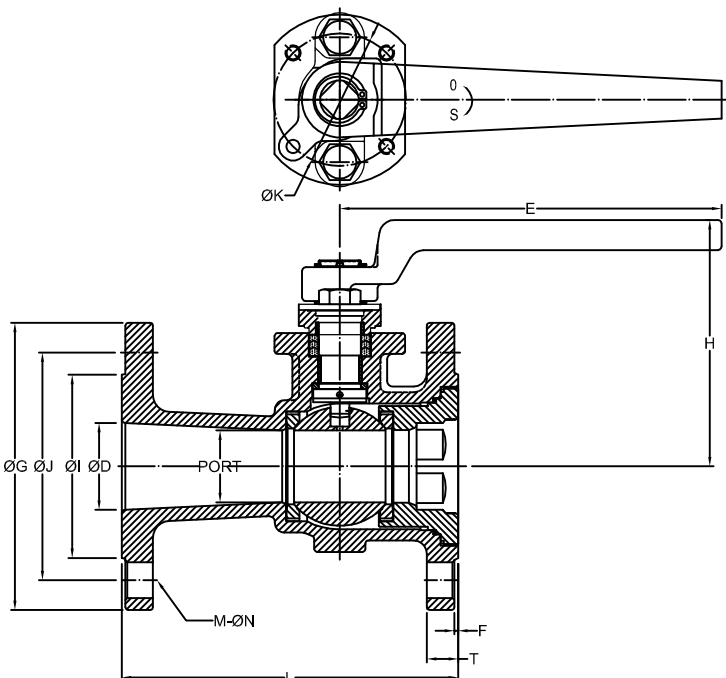
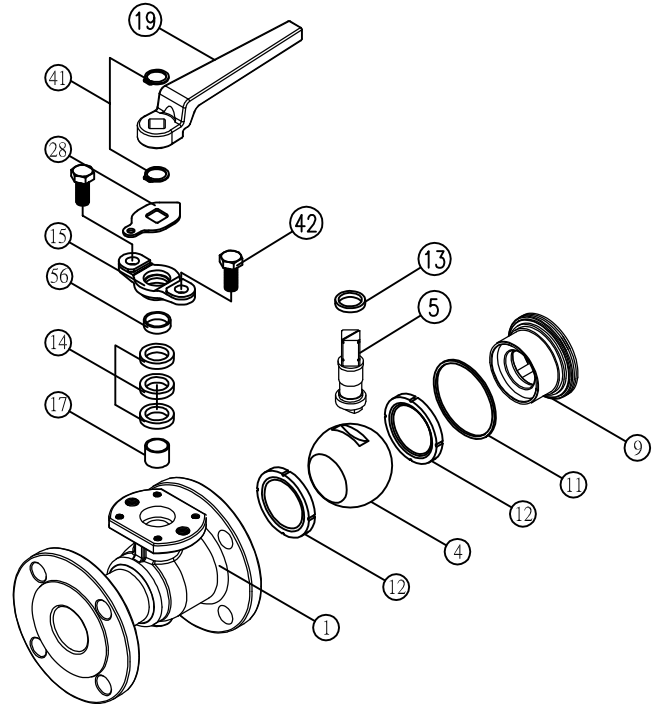
- Body wall thickness : B16.34
- Face to Face : ANSI B16.10 Class 150
- Flange Dimension : ANSI B16.5 Class 150
- Finish : 125- 250 AARH
- Body Material : ASME A351
- Pressure testing : EN12266

Standard Compliance:

- End connection : Flange RF
- Working pressure : 275 psi (CWP)
- Temperature : -20 ~ 180° C

MATERIALS LIST

NO.	PART NAME	MATERIAL
1	BODY	ASTM A351 Gr.CF8M
4	BALL	ASTM A351 Gr.CF8M
5	STEM	SS316
9	INSERT	ASTM A351 Gr.CF8M
11	BODY SEAL	PTFE.
12	SEAT	RPTFE.
13	THRUST WASHER	PTFE.
14	STEM PACKING	PTFE.
15	GLAND	SS304
17	GLAND PACKING	SS304
19	HANDLE	FCD45
28	STOP PLATE	SS304
41	SNAP RING	SS304
42	GLAND BOLT	SS304
56	BEARING	PTFE.

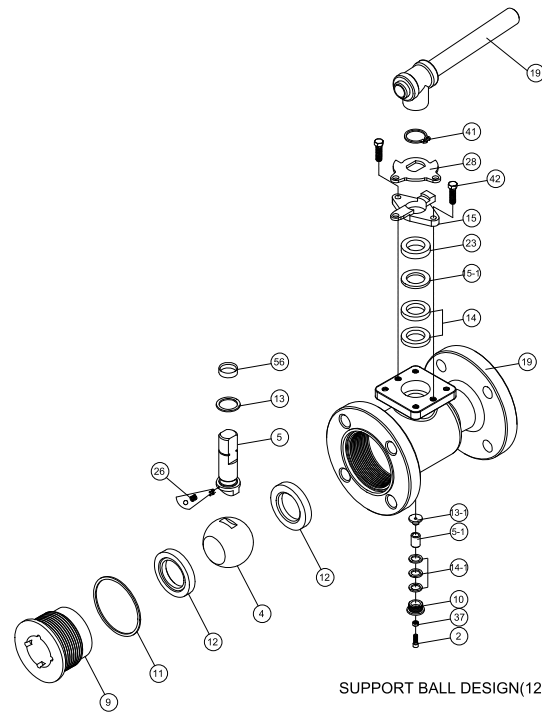


DIMENSIONS

SIZE	PORT	L	E	H	ØG	ØJ	ØI	T	F	M	ØN	ØK	ØD	
DN25	1"	20.0	127.0	130.8	80.2	108.0	79.5	51.0	12.0	2.0	4	16.0	42.0	25.0
DN40	1-1/2"	32.5	165.0	163.0	99.0	127.0	98.5	73.0	14.8	2.0	4	16.0	50.0	38.0
DN50	2"	38.0	178.0	202.0	130.4	152.0	120.5	97.0	16.5	2.0	4	19.0	70.0	46.0
DN65	2-1/2"	50.0	190.0	202.0	137.9	178.0	139.5	105.0	18.0	2.0	4	19.0	70.0	65.0
DN80	3"	58.0	203.0	323.5	159.3	190.0	152.5	127.0	19.5	2.0	4	19.0	102.0	78.0
DN100	4"	80.0	229.0	323.5	182.3	229.0	190.5	163.0	24.3	2.0	8	19.0	102.0	95.0
DN150	6"	115.0	267.0	752.5	241.6	279.0	241.5	216.0	25.4	2.0	8	22.0	125.0	150.0

unit:mm

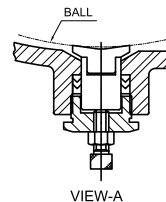
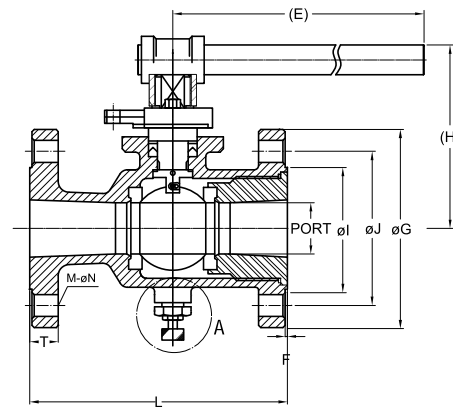
Fig No: MD-51-150 Reduced Bore
8" 10" 12"



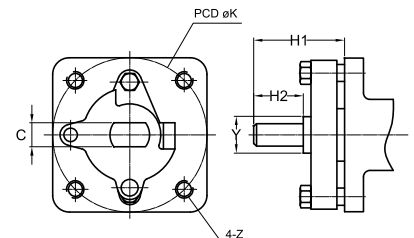
SUPPORT BALL DESIGN(12")

MATERIALS LIST

NO.	PART NAME	MATERIAL
1	BODY	ASTM A351 Gr. CF8M
2	TUNING SCREW	SS304
4	BALL	ASTM A351 Gr. CF8M
5	STEM	SS316
5-1	SUPPORT PIN	SS316
9	INSERT	ASTM A351 Gr. CF8M
10	SUPPORT NUT	SS304
11	GASKET	RPTFE. / GRAPHITE
12	SEAT	REINFORCED PTFE.(15%)
13	THRUST WASHER	RPTFE. / GRAPHITE
13-1	PIN SEAT	RPTFE.
14	STEM PACKING	RPTFE. / GRAPHITE
14-1	PIN PACKING	RPTFE.
15	GLAND	ASTM A351 GR.CF8
15-1	GLAND WASHER	50%PTFE.+50%316
19	HANDLE	JUCTILE IRON (FCD)/PIPE GRIP(S15C)
23	SLEEVE	SS304
26	ANTI-STATIC	SS316
28	TRAVEL STOPPER	SS304
37	SET NUT	SS304
41	SNAP RING	SS304
42	GLAND BOLT	SS304
56	STEM BEARING	RPTFE.



VIEW-A
SUPPORT BALL DESIGN (12")



DIMENSIONS

unit : mm

SIZE	PORT	L	E	H	H1	H2	C	Y	øG	øJ	øI	T	F	M-øN	øK	Z	
DN200	8"	152.0	292.0	650.0	256.0	91.0	42.0	26.0	43.5	343.0	298.5	270.0	28.6	1.6	8-ø22.0	125.0	M12
DN250	10"	200.0	330.0	GEAR OPERATION	91.0	42.0	26.0	43.5	406.0	362.0	324.0	30.2	1.6	12-ø25.0	125.0	M12	
DN300	12"	242.0	356.0		98.0	54.0	35.0	50.0	483.0	432.0	381.0	31.8	1.6	12-ø25.0	140.0	M16	