

**Fig No: MD-51-300 Reduced Bore**  
**1/2" - 6" DN15 ~ DN150**



**Features:**

- Investment Cast Components.
- Blow-Out-Proof Stem Design, Antistatic Device.
- Two Position Locking Device.
- Four Point ISO 5211 Mounting Pad Bolt Circle.
- Cast Bosses For Bleed / Drain Port.
- Available Carbon Or Stainless Steel Body Construction.

**Standards Compliance:**

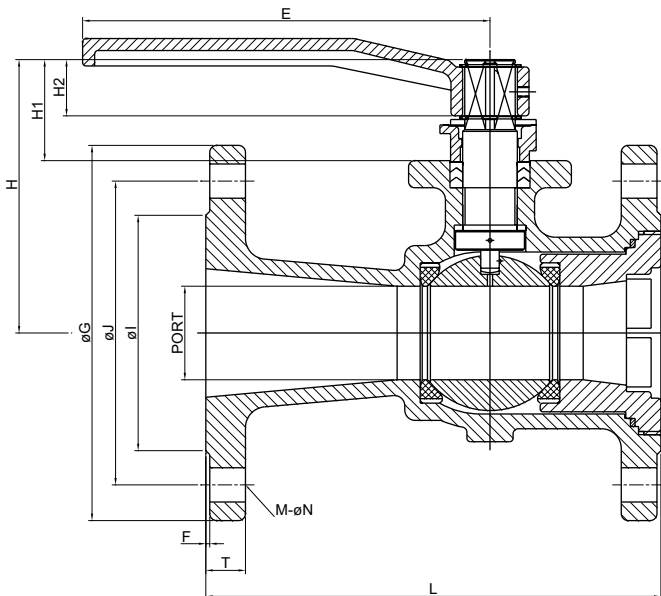
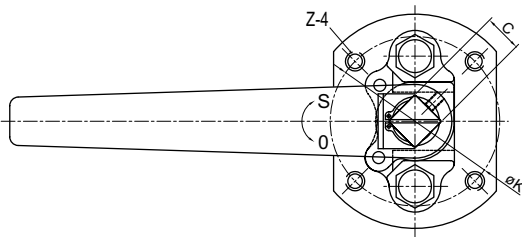
- ASME B16.34 MSS-SP-55 API 598
- ASME B16.10 MSS-SP-61
- ASME B16.5 MSS-SP-72

**Specifications:**

- Design according to ASME B16.34
- Pressure - Tempature Rating : ASME B16.34
- Face To Face: ASME B16.10 Class 300
- Flange Dimension:
- ASME B16.5 RF, Finish 125 - 250 AARH
- Pressure Testing According to API 598

**MATERIALS LIST**

NO.	PART NAME	MATERIAL
1	BODY	ASTM A351 Gr. CF8M
4	BALL	ASTM A351 Gr. CF8M
5	STEM	SS 316
9	END CAP	ASTM A351 Gr. CF8M
11	BODY SEAL	PTFE.
12	SEAT	RTFE.(+15% G.F.)
13	THRUST WASHER	PTFE.
14	STEM PACKING	PTFE.
15	GLAND	SS 304
17	STEM BUSHING	PTFE.
19	HANDLE	FCD45
28	STOP PLATE	SS 304
41	SNAP RING	SS 304
42	BOLT	SS 304
56	GLAND BEARING	PTFE.



**DIMENSIONS** unit : mm

SIZE	PORT	L	E	H	H1	H2	C	øG	øJ	øI	T	F	øK	M-øN	Z
1/2"	12.5	140.0	130.0	45.0	17.5	8.5	9.0	95.0	66.0	35.0	14.0	1.5	42.0	4-ø16.0	1/4"-20
3/4"	16.0	152.0	130.0	47.0	17.5	8.5	9.0	117.0	83.0	43.0	16.0	1.5	42.0	4-ø19.0	1/4"-20
1"	20.0	165.0	130.0	80.0	22.5	12.5	11.0	124.0	89.0	51.0	18.0	1.5	50.0	4-ø19.0	1/4"-20
1-1/2"	32.0	190.0	165.0	86.0	29.2	15.5	14.0	155.0	114.0	73.0	21.0	1.5	50.0	4-ø22.0	1/4"-20
2"	38.0	216.0	193.0	116.0	38.4	21.5	17.0	165.0	127.0	92.0	22.0	1.5	70.0	8-ø19.0	5/16"-18
2-1/2"	51.0	241.0	193.0	139.0	38.4	21.5	17.0	180.0	149.0	105.0	25.0	1.5	70.0	8-ø22.0	5/16"-18
3"	58.0	282.0	328.0	169.0	58.4	31.5	22.0	210.0	168.0	127.0	28.0	1.5	102.0	8-ø22.0	3/8"-16
4"	80.0	305.0	328.0	193.0	60.0	33.1	22.0	254.0	200.0	157.0	32.0	1.5	102.0	8-ø22.0	3/8"-16
6"	114.0	403.0	752.0	256.0	75.0	45.5	27.0	317.0	270.0	216.0	37.0	1.5	125.0	12-ø22.0	1/2"-13

