

**Fig No: MD-52-300 Full Bore**  
**1/2"~ 10" DN15 ~ DN250**



**Features:**

- Investment Cast Components.
- Blow-Out-Proof Stem Design, Antistatic Device.
- Two Position Locking Device.
- Four Point ISO 5211 Mounting Pad Bolt Circle.
- Cast Bosses For Bleed / Drain Port.
- Available Carbon Or Stainless Body Construction.

**Standards Compliance:**

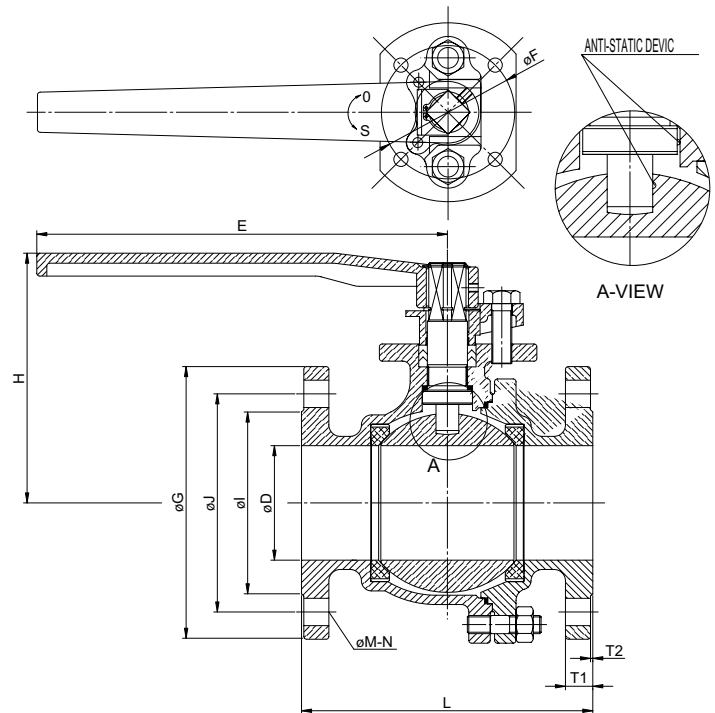
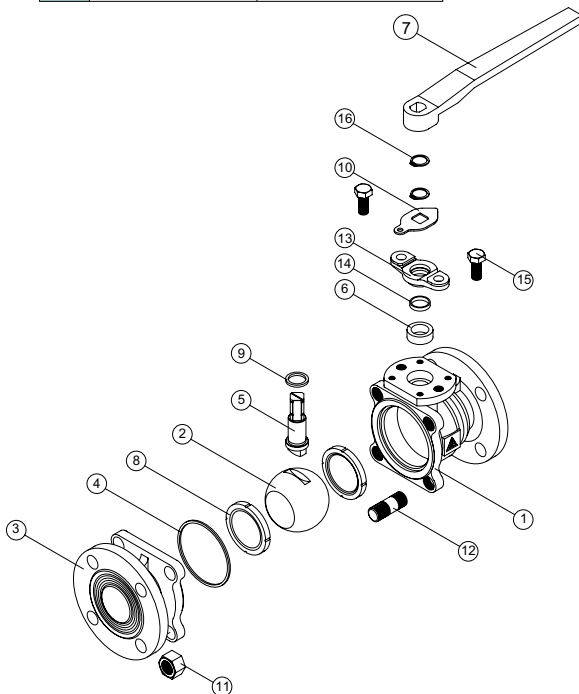
ASME B16.34	MSS-SP-55
ANSI B16.10	MSS-SP-61
ANSI B16.5	API 598 MSS-SP-72

**Specifications:**

- Temperature range:-4 to 356°F (-20 to 180°C).
- 150 psig saturated steam.
- Face To Face:ANSI B16.10 Class 300
- Flange:ANSI B16.5 Class 300 Flanged Fitting

**MATERIALS LIST**

NO.	PART NAME	MATERIAL
1	BODY	ASTM A351 GR.CF8M
2	BALL	ASTM A351 GR.CF8M
3	END CAP	ASTM A351 GR.CF8M
4	BODY SEAL	PTFE.
5	STEM	SS316
6	STEM PACKING	PTFE.
7	HANDLE	FCD45
8	BALL SEAT	PTFE.+15% G/F
9	THRUST WASHER	PTFE.
10	STOP PLATE	SS304
11	NUT	SS304
12	STUD	SS304
13	GLAND	CF8
14	BEARING	PTFE.
15	BOLT	SS304
16	SNAP RING	SS304



**DIMENSIONS**

SIZE	øD	E	øF	øG	øI	øJ	T1	T2	L	H	øM-N
1/2"	15.0	130.0	42.0	95.3	35.1	66.5	14.3	1.6	139.7	73.0	4-ø16.0
3/4"	20.0	130.0	42.0	117.3	42.9	82.6	15.8	1.6	152.4	76.0	4-ø19.1
1"	25.0	160.0	50.0	124.0	50.8	88.9	17.6	1.6	165.1	86.0	4-ø19.1
1-1/4"	32.0	160.0	50.0	133.4	63.5	98.6	19.1	1.6	177.8	91.0	4-ø19.1
1-1/2"	40.0	200.0	70.0	155.4	73.2	114.3	20.6	1.6	190.5	119.0	4-ø19.1
2"	50.0	200.0	70.0	165.1	91.9	127.0	22.4	1.6	215.9	127.0	8-ø19.1
2-1/2"	65.0	200.0	102.0	190.5	104.6	149.4	25.4	1.6	241.3	136.0	8-ø22.2
3"	80.0	325.0	102.0	209.6	127.0	168.2	28.5	1.6	282.4	164.0	8-ø22.2
4"	100.0	325.0	102.0	254.0	157.2	200.2	31.8	1.6	304.8	178.0	8-ø22.2
6"	150.0	760.0	125.0	317.5	215.9	269.7	36.6	1.6	403.2	259.0	12-ø22.2
8"	200.0	1000.0	140.0	381.0	269.7	330.2	41.2	1.6	419.0	300.0	12-ø25.4
10"	250.0	1000.0	165.0	444.5	324.0	387.4	47.8	1.6	457.0	350.0	12-ø28.4