

**Fig No: MD-52-600 Full Bore**  
**1/2"~ 6" DN15 ~ DN150**



**Features:**

- Investment Cast Components.
- Blow-Out-Proof Stem Design, Antistatic Device.
- Two Position Locking Device.
- Four Point ISO 5211 Mounting Pad Bolt Circle.
- Cast Bosses For Bleed / Drain Port.
- Available Carbon Or Stainless Body Construction.

**Standards Compliance:**

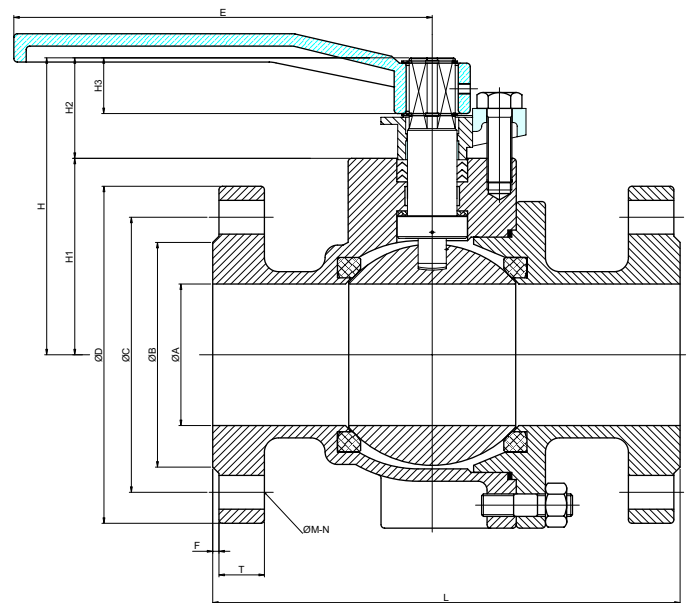
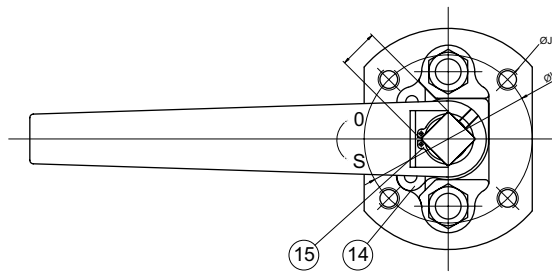
ASME B16.34	MSS-SP-55
ANSI B16.10	MSS-SP-61
ANSI B16.5	API 598 MSS-SP-72

**Specifications:**

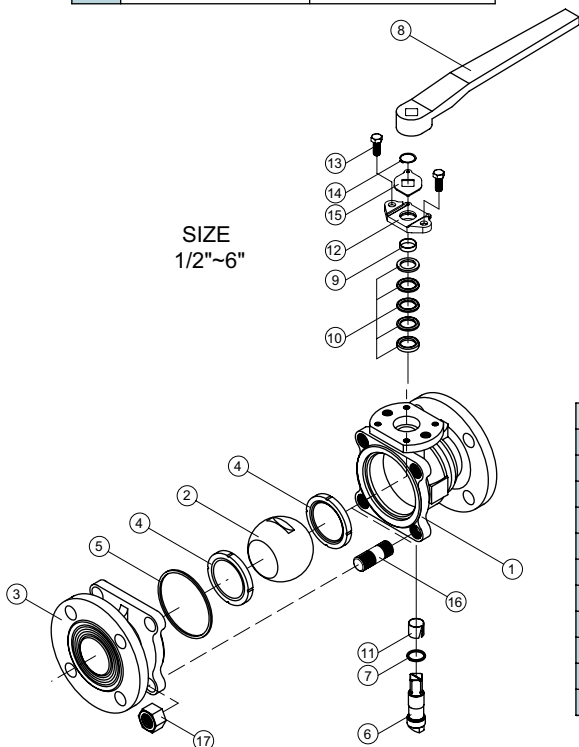
- Temperature range:-4 to 356°F (-20 to 180°C).
- 150 psig saturated steam.
- Face To Face:ANSI B16.10 Class 600
- Flange:ANSI B16.10 Class 600 Flanged Fitting

**MATERIAL LIST**

NO.	PART NAME	MATERIAL
1	BODY	ASTM A351 Gr.CF8M
2	BALL	ASTM A351 Gr.CF8M
3	END CAP	ASTM A351 Gr.CF8M
4	SEAT	PTFE.+15%GF
5	BODY SEAL	PTFE.
6	STEM	SS316
7	THRUST WASHER	PTFE.
8	HANDLE	FCD45
9	BEARING	PTFE.
10	STEM PACKING	PTFE.
11	STEM BUSHING	PTFE.
12	GLAND	ASTM A351 Gr.CF8
13	BOLT	SS304
14	SNAP RING	SS304
15	STOP PLATE	SS304
16	STUD	SS304
17	NUT	SS304



SIZE  
1/2"~6"



**DIMENSIONS**

Size	A	B	C	D	E	F	H	H1	H2	H3	J	K	L	T	W	ØM-N
1/2"	15.0	35.1	66.5	95.3	130.8	6.4	72.9	43.2	22.6	11.4	1/4"	42.0	165.0	14.2	11.0	Ø15.7-4
3/4"	20.0	42.9	82.6	117.3	130.8	6.4	75.9	45.7	22.6	11.4	1/4"	42.0	191.0	15.7	11.0	Ø19.1-4
1"	25.0	50.8	88.9	124.0	165.0	6.4	85.9	51.3	29.2	15.5	1/4"	50.0	216.0	17.5	14.0	Ø19.1-4
1-1/4"	32.0	63.5	98.6	133.4	165.0	6.4	96.8	57.2	29.2	15.5	1/4"	50.0	229.0	20.6	14.0	Ø19.1-4
1-1/2"	40.0	73.2	114.3	155.4	202.0	6.4	118.9	70.6	38.4	21.6	5/16"	70.0	241.0	22.4	17.0	Ø22.4-4
2"	50.0	92.0	127.0	165.1	202.0	6.4	127.0	78.2	38.4	21.6	5/16"	70.0	292.0	25.4	17.0	Ø19.1-8
2-1/2"	65.0	104.6	149.4	190.5	202.0	6.4	135.9	100.6	38.4	21.6	5/16"	70.0	330.0	28.4	17.0	Ø22.4-8
3"	80.0	127.0	168.2	209.6	328.5	6.4	174.2	111.0	58.4	32.0	3/8"	102.0	356.0	31.8	22.0	Ø22.4-8
4"	100.0	157.2	215.9	273.1	328.5	6.4	182.9	133.1	60.2	33.5	3/8"	102.0	432.0	38.1	22.0	Ø25.4-8
5"	125.0	185.7	266.7	330.2	752.5	6.4	252.7	162.1	74.9	45.5	1/2"	125.0	508.0	44.5	27.0	Ø28.4-8
6"	150.0	215.9	292.1	355.6	752.5	6.4	271.8	181.1	74.9	45.5	1/2"	125.0	559.0	47.8	27.0	Ø28.4-12