

**Fig No: MD-52-PN40 Full Bore**  
**1/2" ~ 10" DN15 ~ DN250**



**Features:**

- Investment Cast Components.
- Blow-Out-Proof Stem Design, Antistatic Device.
- Two Position Locking Device.
- Four Point ISO 5211 Mounting Pad Bolt Circle.
- Cast Bosses For Bleed / Drain Port.
- Available Carbon Or Stainless Body Construction.

**Standards Compliance:**

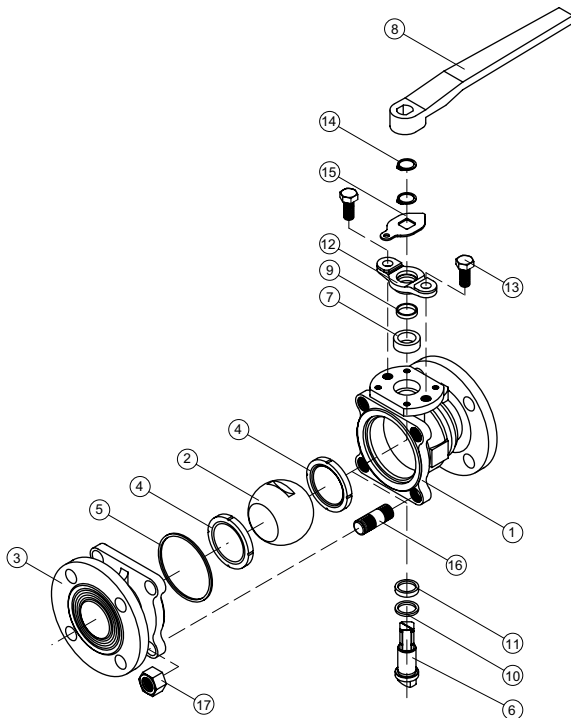
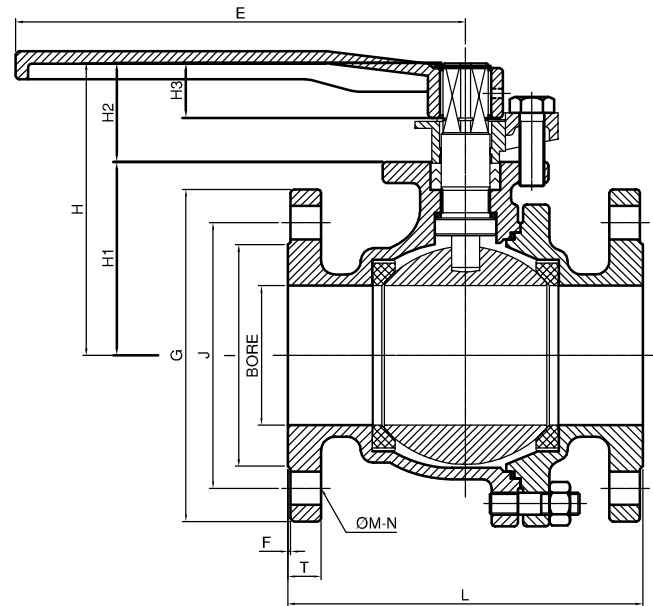
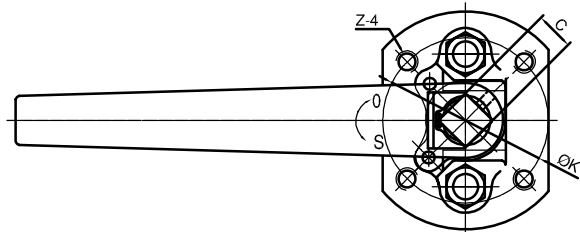
- ASME B16.34
- MSS-SP-55    MSS-SP-61    MSS-SP-72
- DIN 2504    DIN 3202    DIN 12266-1

**Specifications:**

- Temperature range:-4 to 356°F (-20 to 180°C).
- 150 psig saturated steam.
- Face To Face:DIN 3202 F4/F5
- Flange:DIN 2501 PN40 Flanged Fitting

**MATERIAL LIST**

NO.	PART NAME	MATERIAL
1	BODY	CF8M/Pr EN1503-2
2	END CAP	CF8M/Pr EN1503-2
3	BALL	CF8M/Pr EN1503-2
4	SEAT	PTFE.+15%GF
5	BODY SEAL	PTFE.
6	STEM	SS316
7	THRUST WASHER	PTFE.
8	HANDLE	FCD4
9	BEARING	PTFE.
10	STEM PACKING	PTFE.
11	STEM BUSHING	PTFE.
12	GLAND	CF8/Pr EN1503-2
13	BOLT	A193 Gr.B8 L2
14	SNAP RING	SS304
15	STOP PLATE	SS304
16	STUD	A193 Gr.B8 CL2
17	NUT	A194 Gr.8



**DIMENSIONS**

Size	BORE	I	J	G	E	F	H	H1	H2	H3	L	C	K	T	Z	mm
1/2"	15.0	45.0	65.0	95.0	130.8	2	65.7	43.0	22.7	11.4	115.0	11.0	42.0	16.0	1/4"-20	øM-N
3/4"	20.0	58.0	75.0	105.0	130.8	2	68.2	45.7	22.5	11.4	120.0	11.0	42.0	16.0	1/4"-20	ø14-4
1"	25.0	68.0	85.0	115.0	165.0	2	80.6	51.3	29.3	15.5	125.0	14.0	50.0	18.0	1/4"-20	ø14-4
1-1/4"	32.0	78.0	100.0	140.0	165.0	2	86.5	57.2	29.3	15.5	130.0	14.0	50.0	18.0	1/4"-20	ø18-4
1-1/2"	40.0	88.0	110.0	150.0	202.0	2	108.9	70.5	38.4	21.6	140.0	17.0	70.0	18.0	5/16"-18	ø18-4
2"	50.0	102.0	125.0	165.0	202.0	2	116.5	78.1	38.4	21.6	150.0	17.0	70.0	20.0	5/16"-18	ø18-4
2-1/2"	65.0	122.0	145.0	185.0	202.0	2	139.0	100.6	38.4	21.6	170.0	17.0	70.0	22.0	5/16"-18	ø18-8
3"	80.0	138.0	160.0	200.0	328.5	2	169.4	111.1	58.3	32.0	180.0	24.0	102.0	24.0	3/8"-16	ø18-8
4"	100.0	162.0	190.0	235.0	328.5	2	193.3	133.0	60.3	33.5	190.0	24.0	102.0	24.0	3/8"-16	ø22-8
6"	150.0	218.0	250.0	300.0	752.5	2	256.0	181.0	75.0	45.5	350.0	27.0	125.0	28.0	1/2"-13	ø26-8
8"	200.0	268.0	320.0	375.0	1016	2	325.4	251.5	73.9	43.4	400.0	36.0	140.0	28.0	5/8"-11	ø30-12
10"	250.0	320.0	385.0	450.0	1016	2	391.2	275.1	116.1	70.1	450.0	46.0	165.0	30.0	3/4"-10	ø33-12