



Two Pieces Flanged Ball Valves, ISO 5211 Direct Mounted, Full Bore, PN40/ 16

Fig No: MD-55 Full Bore
1/2"~ 6" DN15~DN150



Feature :

- Investment Casting Component
- ISO 5211 direct mounting type
- Blow-out-proof stem, Anti-Static Design
- For General Chemical and Industrial application
- Carbon steel or Super Alloy upon request

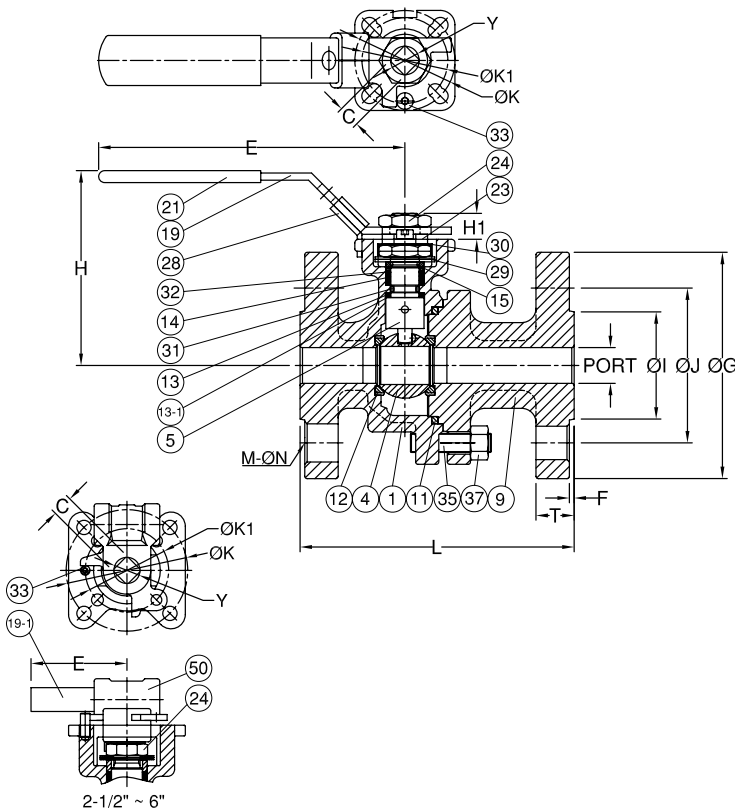
Standard Compliance:

- Body wall thickness : EN12516-1/2
- Face to Face : DIN 3202 F4/F5
- Flange Dimension : DIN 1092-1 PN40 for DN15-DN40
DIN 1092-1 PN16 for DN50- DN150

- Body Material :EN 10213-4
- Pressure testing : EN12266

Standard Compliance:

- End connection : Flange RF
- Working pressure : 36.4 bar (CWP) for DN15-DN40
14.6 bar (CWP) for DN50- DN150
- Temperature : -20 ~ 180° C



MATERIALS LIST

NO.	PART NAME	MATERIAL
1	BODY	1.4408/EN1503-1
4	BALL	CF8M/EN1503-2
5	STEM	SS316
9	END CAP	1.4408/EN1503-1
11	BODY SEAL	PTFE.
12	SEAT	RTFE.
13	THRUST WASHER	PTFE.
13-1	WASHER PROTECTOR	RTFE.
14	STEM PACKING	PTFE.
15	GLAND	SS304
19	HANDLE	SS304
19-1	PIPE GRIP	S15C
21	HANDLE COVER	PLASTIC
23	HANDLE WASHER	SS304
24	HANDLE NUT	SS304
28	LOCKING DEVICE	SS304
29	BELLE WASHER	SS301
30	TAB WASHER	SS304
31	O-RING	BUNA N
32	PACKING PROTECTOR	RTFE.
33	STOP PIN	SS304
35	BODY STUD	SS304
37	BOLT NUT	SS304
50	JUNCTION HEAD	CF8/EN1503-2

DIMENSIONS

SIZE	PORT	L	E	H	H1	C	Y	ØG	ØJ	ØI	T	F	M	ØN	ØK	ØK1	
DN15	1/2"	15.0	115.0	127.0	80.8	9.0	9.0	12.0	95.0	65.0	45.0	16.0	2.0	4	14.0	42.0	36.0
DN20	3/4"	20.0	120.0	127.0	83.8	9.0	9.0	12.0	105.0	75.0	58.0	18.0	2.0	4	14.0	42.0	36.0
DN25	1"	25.4	125.0	165.0	89.7	9.0	11.0	14.0	115.0	85.0	68.0	18.0	2.0	4	14.0	50.0	42.0
DN32	1-1/4"	32.0	130.0	165.0	101.0	11.0	11.0	14.0	140.0	100.0	78.0	18.0	2.0	4	18.0	50.0	42.0
DN40	1-1/2"	38.0	140.0	190.5	109.2	14.0	14.0	18.0	150.0	110.0	88.0	18.0	2.0	4	18.0	70.0	50.0
DN50	2"	50.0	150.0	190.5	117.7	14.0	14.0	18.0	165.0	125.0	102.0	18.0	2.0	4	18.0	70.0	50.0
DN65	2-1/2"	63.0	170.0	222.5	168.9	17.5	17.0	22.0	185.0	145.0	122.0	18.0	2.0	4	18.0	102.0	70.0
DN80	3"	80.0	180.0	222.5	177.4	17.5	17.0	22.0	200.0	160.0	138.0	20.0	2.0	8	18.0	102.0	70.0
DN100	4"	98.0	190.0	222.5	192.4	17.5	17.0	22.0	220.0	180.0	158.0	20.0	2.0	8	18.0	102.0	70.0
DN150	6"	150.0	350.0	345.0	249.1	28.0	27.0	35.0	285.0	240.0	212.0	22.0	2.0	8	22.0	125.0	102.0

unit:mm