

**Fig No: MD-57 Full Bore**  
**1/2" ~ 6" DN15 ~ DN150**



**Features :**

- Investment Casting Component
- ISO 5211 mounting Flange
- Blow-out-proof stem, Anti-Static Design
- For General Chemical and Industrial application
- Carbon steel or Super Alloy upon request

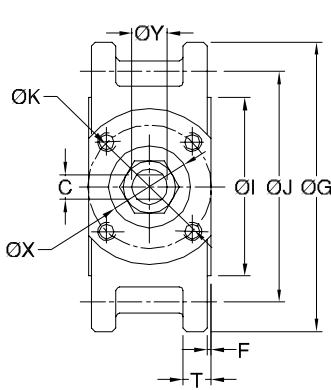
**Standard Compliance:**

- Body wall thickness : EN 12516-1
- Face to Face : MFG's standard
- Flange Dimension : DIN 2501 PN16
- Body Material : EN 10213-4
- Pressure testing : EN12266

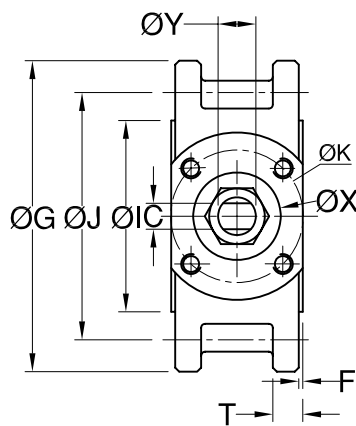
**Standard Compliance:**

- End connection : Flange RF
- Working pressure : 15.5 Bar ( CWP )
- Temperature : -20 ~ 180°C

**Size: DN15-DN25**

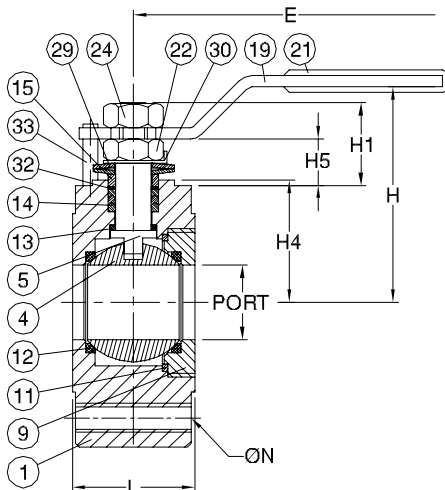


**Size: DN32-DN150**



**MATERIALS LIST**

NO.	PART NAME	MATERIAL
1	BODY	1.4408 / EN1503-1
4	BALL	CF8M / EN1503-2
5	STEM	SS316
9	INSERT CAP	1.4408 / EN1503-1
11	BODY SEAL	PTFE.
12	SEAT	PTFE.
13	THRUST WASHER	PTFE.
14	STEM PACKING	PTFE.
15	GLAND	SS304
19	HANDLE	SS304
19-1	HANDLE	STEEL
20	SET SCREW	SS304
21	HANDLE COVER	PLASTIC
21-1	HANDLE SLEEVE	PLASTIC
22	STEM NUT	SS304
24	HANDLE NUT	SS304
28	STOP PLATE	SS304
29	BELLEVILLE WASHER	SS301
30	TAB WASHER	SS304
32	PACKING FOLLOWER	PTFE. +25%G.F.
33	STOP PIN	SS304
50	ADAPTER	ASTM A351 Gr.CF8



**DIMENSIONS**

SIZE	PORT	L	E	H	H1	H4	H5	C	ØX	unit:mm
DN15	1/2"	15	35	116	70	19.2	32	10.5	6.35	25
DN20	3/4"	20	38	116	74	16.5	38	7.5	6.35	25
DN25	1"	25	44	165	75	17.5	42	7.5	6.35	25

SIZE	ØY	ØG	ØJ	ØI	T	F	ØN	ØK	
DN15	1/2"	9.6	95	65	45	7.0	2	M12	36
DN20	3/4"	9.6	105	75	58	7.0	2	M12	36
DN25	1"	9.6	115	85	65	7.5	2	M12	36

SIZE	PORT	L	E	H	H1	H4	H5	C	ØX	ØY	ØG	ØJ	ØI	T	F	ØN	ØK	unit:mm
DN32	1-1/4"	32	54	165	87	24.0	50	12.0	8.0	32	11.2	140	100	78	17.0	2	M16	42
DN40	1-1/2"	38	62	193	90	24.0	54	12.0	8.0	35	11.2	150	110	88	19.0	2	M16	50
DN50	2"	50	80	193	99	24.0	62	12.0	8.0	35	11.2	165	125	102	19.5	2	M16	50
DN65	2-1/2"	64	101	235	141	25.5	82	14.5	9.5	53	16.0	185	145	122	17.0	2	M16	70
DN80	3"	76	118	235	150	25.5	91	14.5	9.5	53	16.0	200	160	138	20.0	3	M16	70
DN100	4"	96	150	266	172	49.0	107	24.0	17.0	55	28.0	220	180	158	21.0	3	M16	102
DN125	5"	118	179	400	205	50.0	117	31.0	17.0	55	28.0	250	210	188	22.0	3	M16	102
DN150	6"	135	202	600	220	50.0	130	31.0	17.0	60	28.0	285	240	212	22.0	3	M20	125