

Fig No: MD-63-300 Reduce Bore

3" x 2" ~ 36" x 30"



Feature:

- Design: API6D, ASME B16.34, API607/ API6FA fire safe design
- Side entry ball
- Anti-static design, Anti blow-out-stem
- Carbon steel or special alloy upon request
- Cast steel are also supplied in full compliance with NACE MR0175

Service:

General, Low Temperature, Cryogenic, Sub sea, Oil & Gas application, High temperature, Underground

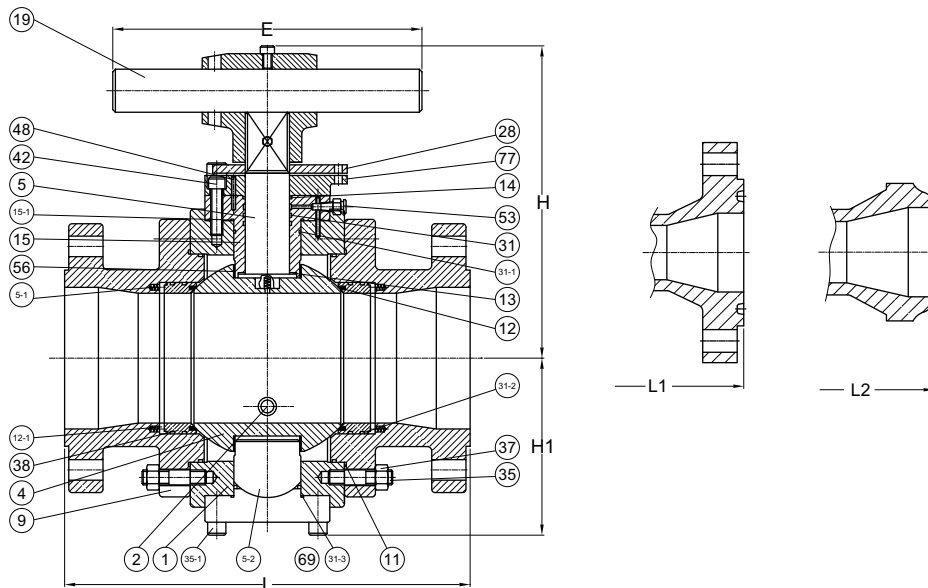
Design:

- 3-pc Design, by forged
- Reduce Bore
- Face to face: ASME B16.10
- Flange connection: ASME B16.5 Class 300 RF (Above size 26", which would compliance with ASME B16.47)
- Pressure-Temperature Rating: ASME/ANSI B16.34
- Testing and inspection: API6D, API598
- Automatically Drain Plug (NPT) on Body(2"~4" - option, Upward 6" - Basic function)
- Double bleed and Block (2"~4" - option, Upward 6" - Basic function)
- Sealant Emergently Injection Fittings(2"~4" - option, Upward 6" - Basic function)

Options:

- With Locking Device
- Extended Stem (Cryogenic application)
- Actuator installation
- Gear Box

Size: 3"x2"~8"x4"



DIMENSIONS(CLASS 300Lb)

unit:mm

SIZE	L	L1	L2	E	H	H1	Wt (kg)
DN80XDN50 3"X2" ®	283.0	298.0	283.0	250.0	168.0	95.0	35.0
DN80XDN65 3"X2-1/2" ©	283.0	298.0	283.0	300.0	202.0	107.0	--
DN100XDN65 4"X2-1/2" ®	305.0	321.0	305.0	300.0	202.0	107.0	--
DN100XDN80 4"X3" ©	305.0	321.0	305.0	350.0	222.0	122.0	71.0
DN150XDN80 6"X3" ®	403.0	419.0	403.0	350.0	222.0	122.0	--
DN150XDN100 6"X4" ©	403.0	419.0	403.0	450.0	238.0	148.0	119.0
DN200XDN100 8"X4" ®	502.0	518.0	521.0	450.0	238.0	148.0	--

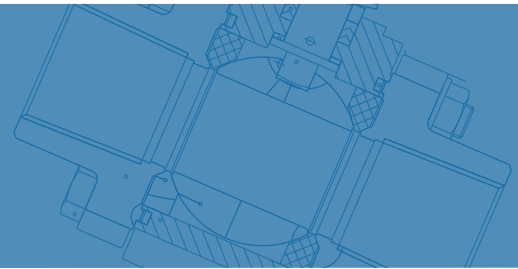
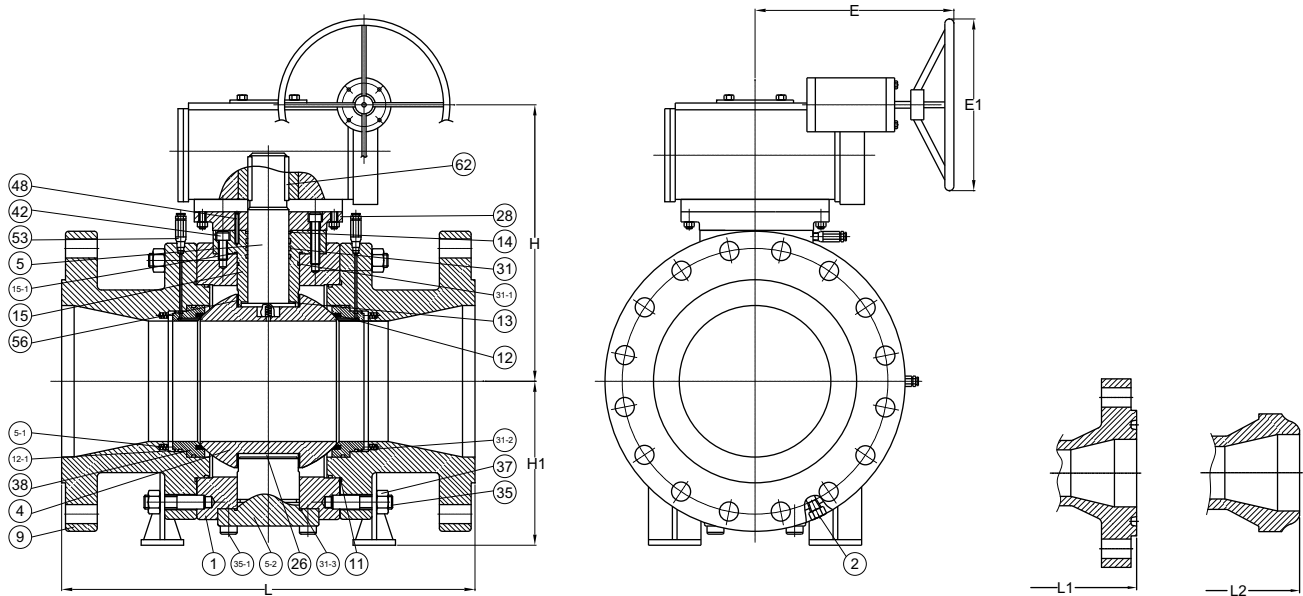


Fig No: MD-63-300 Reduce Bore

Size: 8"x6"~28"x26"



MATERIALS LIST

NO.	DESCRIPTION	MATERIAL
1	BODY	A105,A350-LF2,A182-F304,F316,F304L,F316L,F321,F51,F53
2	DRAIN VALVE AND PLUG	1025,SS304,SS316,SS304L,SS316L,SS321,F51,F53
4	BALL	A105+ENP,A182-F8,F304,F316,F304L,F316L,F321,F51,F53
5	STEM	1045+ENP,A182-F6,F304,F316,F304L,F316L,F321,F51,F53,4140+ENP,17-4PH
9	ADAPTER	A105,A350-LF2,A182-F304,F316,F304L,F316L,F321,F51,F53
11	GASKET	SS304,SS316+FLEXIBLE GRAPHITE SPIRAL WOUND
12	SEAT	PTFE,RTFE,PEEK,PPL,POM,KARBATE,NYLON,MOLON,DEVLON
12-1	SEAT RING	A105+ENP,A182-F8,F304,F316,F304L,F316L,F321,F51,F53
13	THRUST WASHER	PTFE,RTFE,STAINLESS STEEL+N
14	PACKING	FLEXIBLE GRAPHITE
15	STUFFING BOX	A105+ENP,A182-F8,F304,F316,F304L,F316L,F321,F51,F53
15-1	SEALING RING	SS304,SS316+FLEXIBLE GRAPHITE SPIRAL WOUND
28	CONNECTION PLATE	1025,A216 WCB,A351 CF8
31	O-RING	VITON
31-1	O-RING	NBR,VITON
31-2	O-RING	VITON
35	BOLT	A194-B7,B7M,B8,B8M
37	NUT	A194-2H,2HM,8,8M
38	SEALING RING	FLEXIBLE GRAPHITE
42	SCREW	1035,STAINLESS STEEL
48	PIN	ANSI 1566,STAINLESS STEEL
48-1	PIN	1045,STAINLESS STEEL
53	GREASE FITTING	1025,SS304,SS316,SS304L,SS316L,SS321,F51,F53
56	BEARING	1045+RPTFE.,SS304+RPTFFE.,SS316+RPTFE.
62	KEY	1045
69	ADJUSTING RING	PTFE,1045+RPTFE,STAINLESS STEEL+RPTFE
76	BEARING RETAINER	1025,A216-WCB,STAINLESS STEEL
77	SUPPORT LEG	1025

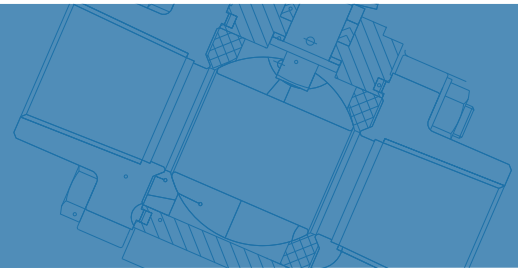


Fig No: MD-63-300 Reduce Bore

DIMENSIONS(CLASS 300Lb) unit:mm

SIZE		L	L1	L2	E	E1	H	H1	WtI (kg)	WtII (kg)
DN200XDN150	8"X6" Ⓜ	502.0	518.0	521.0	254.0	300.0	285.0	201.0	223.0	212.0
DN250XDN150	10"X6" Ⓜ	568.0	584.0	559.0	254.0	300.0	285.0	201.0	--	--
DN250XDN200	10"X8" Ⓜ	568.0	584.0	559.0	270.0	300.0	342.0	232.0	373.0	355.0
DN300XDN200	12"X8" Ⓜ	648.0	664.0	635.0	270.0	300.0	342.0	232.0	--	--
DN300XDN250	12"X10" Ⓜ	648.0	664.0	635.0	342.0	400.0	390.0	283.0	634.0	604.0
DN350XDN250	14"X10" Ⓜ	762.0	778.0	762.0	342.0	400.0	390.0	283.0	696.0	663.0
DN400XDN250	16"X10" Ⓜ	838.0	854.0	838.0	342.0	400.0	390.0	283.0	--	--
DN350XDN300	14"X12" Ⓜ	762.0	778.0	762.0	380.0	400.0	435.0	335.0	767.0	730.0
DN400XDN300	16"X12" Ⓜ	838.0	854.0	838.0	380.0	400.0	435.0	335.0	--	--
DN450XDN300	18"X12" Ⓜ	914.0	930.0	914.0	380.0	400.0	435.0	335.0	--	--
DN400XDN350	16"X14" Ⓜ	838.0	854.0	838.0	430.0	450.0	467.0	360.0	1076.0	1025.0
DN450XDN350	18"X14" Ⓜ	914.0	930.0	914.0	430.0	450.0	467.0	360.0	--	--
DN500XDN350	20"X14" Ⓜ	991.0	1010.0	991.0	430.0	450.0	467.0	360.0	--	--
DN450XDN400	18"X16" Ⓜ	914.0	930.0	914.0	510.0	500.0	538.0	398.0	1743.0	1660.0
DN500XDN400	20"X16" Ⓜ	991.0	1010.0	991.0	510.0	500.0	538.0	398.0	2058.0	1960.0
DN500XDN450	20"X18" Ⓜ	991.0	1010.0	991.0	510.0	500.0	625.0	437.0	1979.0	1885.0
DN600XDN500	24"X20" Ⓜ	1143.0	1165.0	1143.0	530.0	500.0	712.0	477.0	2785.0	2652.0
DN600XDN550	24"X22" Ⓜ	1143.0	1165.0	1143.0	530.0	550.0	799.0	495.0	--	--
DN750XDN600	30"X24" Ⓜ	1397.0	1422.0	1397.0	530.0	550.0	826.0	585.0	4660.0	4438.0
DN700XDN650	28"X26" Ⓜ	1346.0	1372.0	1346.0	530.0	550.0	862.0	630.0	--	--
DN750XDN700	30"X28" Ⓜ	1397.0	1422.0	1397.0	530.0	550.0	893.0	683.0	--	--
DN800XDN750	32"X30" Ⓜ	1524.0	1553.0	1524.0	--	762.0	968.0	715.0	--	--
DN900XDN750	36"X30" Ⓜ	1727.0	1756.0	1727.0	--	762.0	968.0	773.0	7854.0	7480.0

* Ⓜ Reduce Bore Ⓜ Regular Bore

* Modentic Reserves The Rights To Change Any Details Without Prior Notice.