



**Fig No: MD-64-900 Full Bore**  
**2"~36"**



**Feature:**

- Design: API6D, ASME B16.34, API607/ API6FA fire safe design
- Side entry ball
- Anti-static design, Anti blow-out-stem
- Carbon steel or special alloy upon request
- Cast steel are also supplied in full compliance with NACE MR0175

**Service:**

- General, Low Temperature, Cryogenic, Sub sea, Oil & Gas application, High temperature, Underground

**Design:**

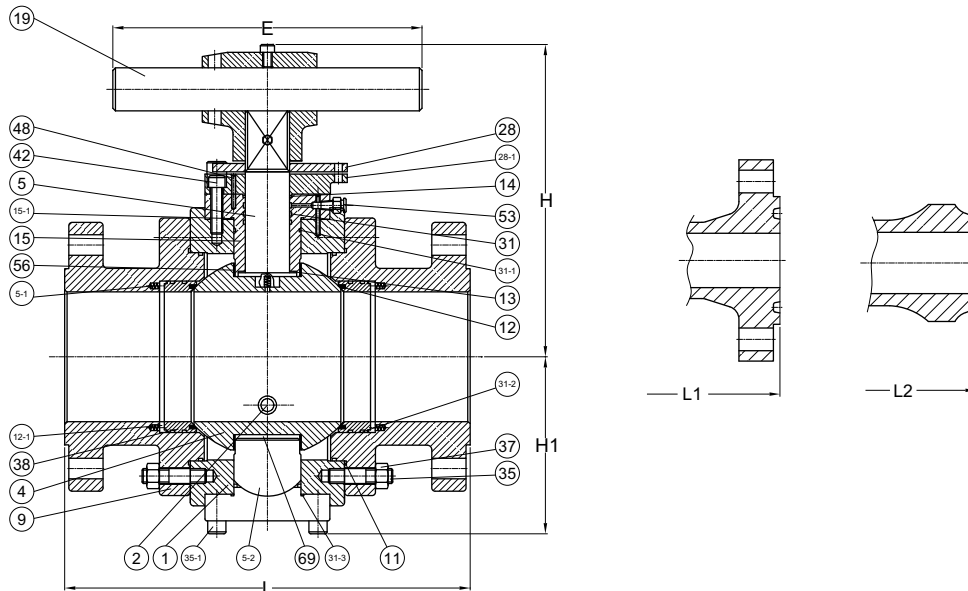
- 3-pc Design, by forged
- Full Bor
- Face to face: ASME B16.10
- Flange connection: ASME B16.5 Class 900 RF ( Above size 26", which would compliance with ASME B16.47 )
- Pressure-Temperature Rating: ASME/ANSI B16.34
- Testing and inspection: API6D, API598

- Automatically Drain Plug (NPT) on Body( 2"~4" - option, Upward 6" - Basic function )
- Double bleed and Block ( 2"~4" - option, Upward 6" - Basic function )
- Sealant Emergently Injection Fittings ( 2"~4" - option, Upward 6" - Basic function )

**Options:**

- With Locking Device
- Extended Stem ( Cryogenic application )
- Actuator installation
- Gear Box

Size:2"~4"



**DIMENSIONS(CLASS 900Lb)**

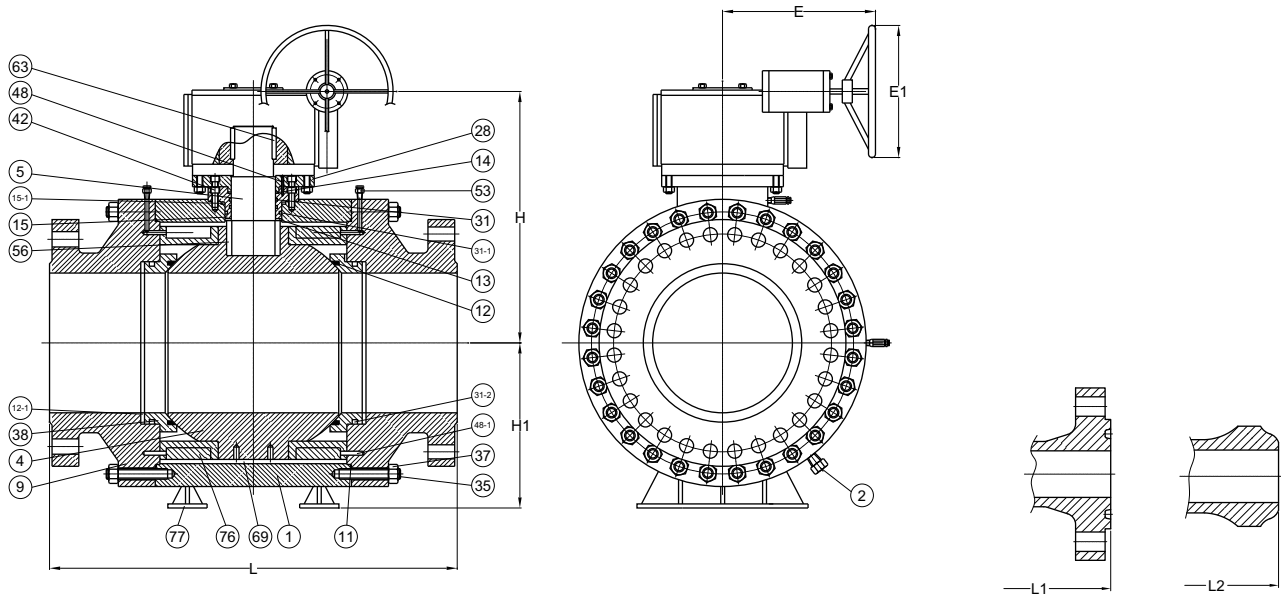
unit:mm

| SIZE  | L      | L1    | L2    | E     | H      | H1    | Wt (kg) |
|-------|--------|-------|-------|-------|--------|-------|---------|
| DN50  | 2"     | 368.0 | 371.0 | 368.0 | 500.0  | 217.0 | 47.0    |
| DN65  | 2-1/2" | 419.0 | 422.0 | 419.0 | 600.0  | 241.0 | 61.0    |
| DN80  | 3"     | 381.0 | 384.0 | 381.0 | 900.0  | 259.0 | 82.0    |
| DN100 | 4"     | 457.0 | 460.0 | 457.0 | 1000.0 | 297.0 | 145.0   |



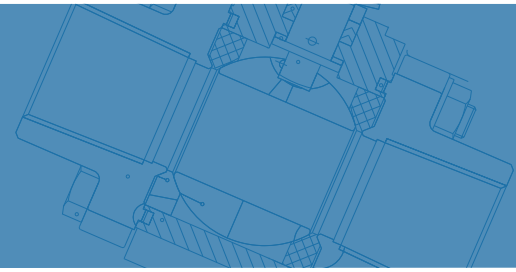
**Fig No: MD-64-900 Full Bore**

Size:6"~36"



### MATERIALS LIST

| NO.  | DESCRIPTION          | MATERIAL  |
|------|----------------------|---|
| 1    | BODY                 | A105,A350-LF2,A182-F304,F316,F304L,F316L,F321,F51,F53               |
| 2    | DRAIN VALVE AND PLUG | 1025,SS304,SS316,SS304L,SS316L,SS321,F51,F53                        |
| 4    | BALL                 | A105+ENP,A182-F8,F304,F316,F304L,F316L,F321,F51,F53                 |
| 5    | STEM                 | 1045+ENP,A182-F6,F304,F316,F304L,F316L,F321,F51,F53,4140+ENP,17-4PH |
| 5-1  | SPRING               | SS304,INCONE,1566+ENP   |
| 5-2  | TRUNNION             | 1045+ENP,A182-F6,F304,F316,F304L,F316L,F321,F51,F53,4140+ENP,17-4PH |
| 9    | ADAPTER              | A105,A350-LF2,A182-F304,F316,F304L,F316L,F321,F51,F53               |
| 11   | GASKET               | SS304,SS316+FLEXIBLE GRAPHITE SPIRAL WOUND                          |
| 12   | SEAT                 | PTFE,RTFE,PEEK,PPL,POM,KARBATE,NYLON,MOLON,DEVLON                   |
| 12-1 | SEAT RING            | A105+ENP,A182-F8,F304,F316,F304L,F316L,F321,F51,F53                 |
| 13   | THRUST WASHER        | PTFE,RTFE,STAINLESS STEEL+N   |
| 14   | PACKING              | FLEXIBLE GRAPHITE   |
| 15   | STUFFING BOX         | A105+ENP,A182-F8,F304,F316,F304L,F316L,F321,F51,F53                 |
| 15-1 | SEALING RING         | SS304,SS316+FLEXIBLE GRAPHITE SPIRAL WOUND                          |
| 28   | CONNECTION PLATE     | 1025,A216 WCB,A351 CF8  |
| 31   | O-RING               | VITON   |
| 31-1 | O-RING               | NBR,VITON   |
| 31-2 | O-RING               | VITON   |
| 31-3 | O-RING               | NBR,VITON   |
| 35   | BOLT                 | A194-B7,B7M,B8,B8M  |
| 35-1 | SCREW                | 1035,STAINLESS STEEL  |
| 37   | NUT                  | A194-2H,2HM,8,8M  |
| 38   | SEALING RING         | FLEXIBLE GRAPHITE   |
| 42   | SCREW                | 1035,STAINLESS STEEL  |
| 48   | PIN                  | ANSI 1566,STAINLESS STEEL   |
| 53   | GREASE FITTING       | 1025,SS304,SS316,SS304L,SS316L,SS321,F51,F53                        |
| 56   | BEARING              | 1045+RPTFE,SS304+RPTFE,SS316+RPTFE.                                 |
| 62   | KEY                  | 1045  |
| 69   | ADJUSTING RING       | PTFE,1045+RPTFE,STAINLESS STEEL+RPTFE                               |



**Fig No: MD-64-900 Full Bore**

**DIMENSIONS(CLASS 900Lb)**

unit:mm

| SIZE  |     | L      | L1     | L2     | E     | E1    | H      | H1    | Wtl<br>(kg) | Wtll<br>(kg) |
|-------|-----|--------|--------|--------|-------|-------|--------|-------|-------------|--------------|
| DN150 | 6"  | 610.0  | 613.0  | 610.0  | 380.0 | 400.0 | 360.0  | 250.0 | 352.0       | 335.0        |
| DN200 | 8"  | 737.0  | 740.0  | 737.0  | 430.0 | 450.0 | 394.0  | 280.0 | 584.0       | 556.0        |
| DN250 | 10" | 838.0  | 841.0  | 838.0  | 510.0 | 500.0 | 502.0  | 325.0 | 982.0       | 935.0        |
| DN300 | 12" | 965.0  | 968.0  | 965.0  | 510.0 | 500.0 | 572.0  | 380.0 | 1365.0      | 1300.0       |
| DN350 | 14" | 1029.0 | 1038.0 | 1029.0 | 530.0 | 550.0 | 675.0  | 395.0 | 1727.0      | 1645.0       |
| DN400 | 16" | 1130.0 | 1140.0 | 1130.0 | 530.0 | 550.0 | 627.0  | 406.0 | 2351.0      | 2239.0       |
| DN450 | 18" | 1219.0 | 1232.0 | 1219.0 | 530.0 | 550.0 | 731.0  | 418.0 | 3056.0      | 2910.0       |
| DN500 | 20" | 1321.0 | 1334.0 | 1321.0 | 530.0 | 550.0 | 820.0  | 561.0 | 3919.0      | 3732.0       |
| DN600 | 24" | 1549.0 | 1568.0 | 1549.0 | --    | 812.0 | 853.0  | 634.0 | 6615.0      | 6300.0       |
| DN650 | 26" | 1651.0 | 1674.0 | 1651.0 | --    | 914.0 | 909.0  | 725.0 | 7949.0      | 7570.0       |
| DN700 | 28" | 1753.0 | 1775.0 | 1753.0 | --    | 914.0 | 980.0  | 765.0 | 9542.0      | 9088.0       |
| DN750 | 30" | 1880.0 | 1902.0 | 1880.0 | --    | 914.0 | 1095.0 | 810.0 | 11340.0     | 10800.0      |
| DN800 | 32" | 2032.0 | 2054.0 | 2032.0 | --    | 914.0 | 1270.0 | 840.0 | 12584.0     | 11985.0      |
| DN850 | 34" | 2159.0 | 2188.0 | 2159.0 | --    | 914.0 | 1310.0 | 860.0 | 18233.0     | 17365.0      |
| DN900 | 36" | 2286.0 | 2315.0 | 2286.0 | --    | 914.0 | 1445.0 | 893.0 | 20497.0     | 19521.0      |

\* (R) Reduce Bore (C) Regular Bore

\* Modentic Reserves The Rights To Change Any Details Without Prior Notice.