

Fig No: MD-65-1500

2" ~ 24" (3" x 2" ~ 24"x20")



Feature:

Design: API6D, ASME B16.34, API607/ API6FA fire safe design
 Side entry ball
 Anti-static design, Anti blow-out-stem
 Carbon steel or special alloy upon request
 Cast steel are also supplied in full compliance with NACE MR0175

Service:

General, Low Temperature, Cryogenic, Sub sea, Oil & Gas application, High temperature, Underground

Design:

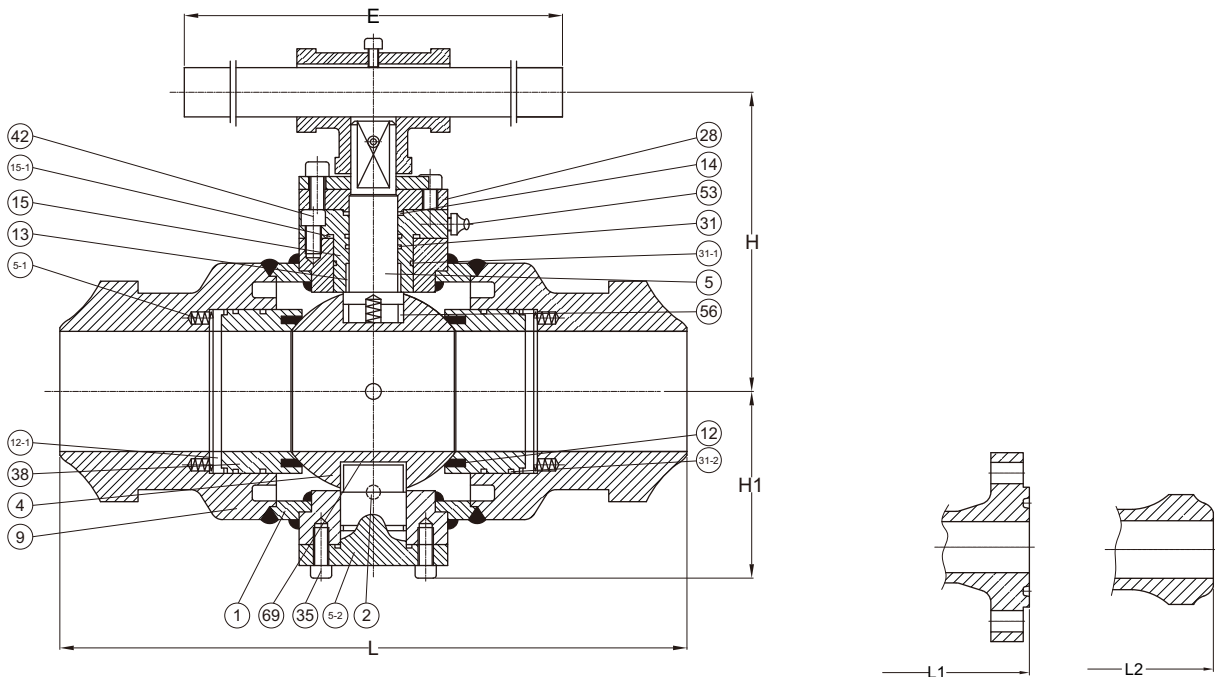
3-pc Design, by forged
 Full Bore or Reduce Bore
 Face to face: ASME B16.10
 Butt Weld connection: ASME B16.25
 Pressure-Temperature Rating: ASME/ANSI B16.34
 Testing and inspection: API6D, API598

- Automatically Drain Plug (NPT) on Body(2"~4" - option, Upward 6" - Basic function)
- Double bleed and Block(2"~4" - option, Upward 6" - Basic function)
- Sealant Emergently Injection Fittings(2"~4" - option, Upward 6" - Basic function)

Options:

- With Locking Device
- Extended Stem (Cryogenic application)
- Actuator installation
- Gear Box

Size:2" ~ 4" (3" x 2" ~6" x 4")



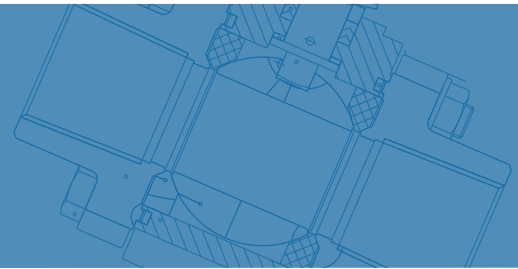


Fig No: MD-65-1500

MATERIALS LIST

| NO. | DESCRIPTION | MATERIAL |
|------|----------------------|---|
| 1 | BODY | A105,A350-LF2,A182-F304,F316,F304L,F316L,F321,F51,F53 |
| 2 | DRAIN VALVE AND PLUG | 1025,SS304,SS316,SS304L,SS316L,SS321,F51,F53 |
| 4 | BALL | A105+ENP,A350-LF2+ENP,A182-F8,F304,F316,F304L,F316L,F321,F51,F53 |
| 5 | STEM | 1045+ENP,A182-F6,F304,F316,F304L,F316L,F321,F51,F53,4140+ENP,17-4PH |
| 5-1 | SPRING | SS304,INCONE,1566+ENP |
| 5-2 | TRUNNION | 1045+ENP,A182-F6,F304,F316,F304L,F316L,F321,F51,F53,4140+ENP,17-4PH |
| 9 | ADAPTER | A105,A350-LF2,A182-F304,F316,F304L,F316L,F321,F51,F53,A537 |
| 12 | SEAT | PTFE,RTFE,PEEK,PPL,POM,KARBATE,NYLON,MOLON,DEVLON |
| 12-1 | SEAT RING | A105+ENP,A182-F8,F304,F316,F304L,F316L,F321,F51,F53 |
| 13 | THRUST WASHER | PTFE,RTFE,STAINLESS STEEL+N |
| 14 | PACKING | FLEXIBLE GRAPHITE |
| 28 | CONNECTION PLATE | 1025,A216 WCB,A351 CF8 |
| 15 | STUFFING BOX | A105+ENP,A182-F8,F304,F316,F304L,F316L,F321,F51,F53 |
| 15-1 | SEALING RING | SS304,SS316+FLEXIBLE GRAPHITE SPIRAL WOUND |
| 31 | O-RING | VITON |
| 31-1 | O-RING | NBR,VITON |
| 31-2 | O-RING | VITON |
| 35 | SCREW | 1035,STAINLESS STEEL |
| 38 | SEALING RING | FLEXIBLE GRAPHITE |
| 42 | SCREW | 1035,STAINLESS STEEL |
| 53 | OIL CUP | 1025,SS304 |
| 56 | BEARING | 1045+RPTFE.,SS304+RPTFFE.,SS316+RPTFE. |
| 69 | ADJUSTING RING | PTFE,1045+RPTFE,STAINLESS STEEL+RPTFE |

DIMENSIONS(CLASS 1500Lb)

unit:mm

| SIZE | | L | L1 | L2 | E | H | H1 | Wt (kg) |
|-------------|---------|-------|-------|-------|--------|-------|-------|---------|
| DN50 | 2" | 368.0 | 371.0 | 368.0 | 800.0 | 237.0 | 109.0 | 48.0 |
| DN65 | 2-1/2" | 419.0 | 422.0 | 419.0 | 900.0 | 261.0 | 130.0 | 58.0 |
| DN80XDN50 | 3"X2" ® | 470.0 | 473.0 | 470.0 | 800.0 | 237.0 | 109.0 | 62.0 |
| DN80 | 3" | 470.0 | 473.0 | 470.0 | 1000.0 | 269.0 | 154.0 | 90.0 |
| DN100XDN80 | 4"X3" © | 546.0 | 549.0 | 546.0 | 1000.0 | 269.0 | 154.0 | 102.0 |
| DN100 | 4" | 546.0 | 549.0 | 546.0 | 1000.0 | 297.0 | 190.0 | 155.0 |
| DN150XDN100 | 6"X4" © | 705.0 | 711.0 | 705.0 | 1000.0 | 297.0 | 190.0 | 232.0 |

* ® Reduce Bore © Regular Bore

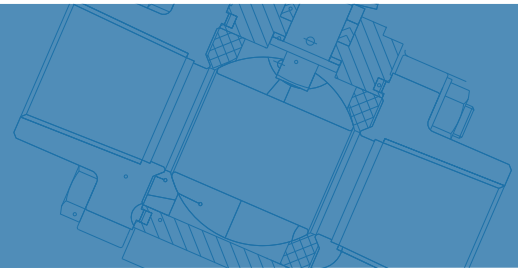
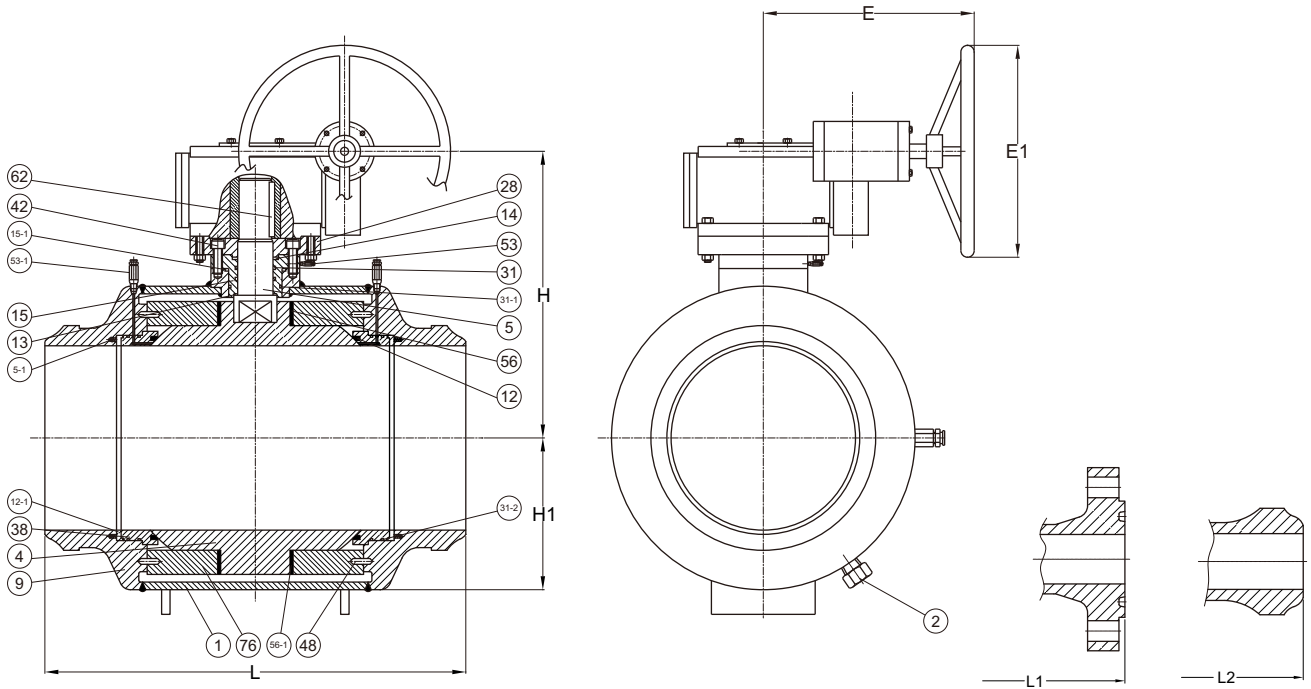


Fig No: MD-65-1500

Size: 6" ~ 24" (8" x 6" ~ 24" x 20")



MATERIALS LIST

| NO. | DESCRIPTION | MATERIAL |
|------|----------------------|---|
| 1 | BODY | A105,A350-LF2,A182-F304,F316,F304L,F316L,F321,F51,F53 |
| 2 | DRAIN VALVE AND PLUG | 1025,SS304,SS316,SS304L,SS316L,SS321,F51,F53 |
| 4 | BALL | A105+ENP,A350-LF2+ENP,A182-F8,F304,F316,F304L,F316L,F321,F51,F53 |
| 5 | STEM | 1045+ENP,A182-F6,F304,F316,F304L,F316L,F321,F51,F53,A140+ENP,17-4PH |
| 5-1 | SPRING | SS304,INCONE,1566+ENP |
| 9 | ADAPTER | A105,A350-LF2,A182-F304,F316,F304L,F316L,F321,F51,F53,A537 |
| 12 | SEAT | PTFE,RTFE,PEEK,PPL,POM,KARBATE,NYLON,MOLON,DEVLON |
| 12-1 | SEAT RING | A105+ENP,A182-F8,F304,F316,F304L,F316L,F321,F51,F53 |
| 13 | THRUST WASHER | PTFE,RTFE,STAINLESS STEEL+N |
| 14 | PACKING | FLEXIBLE GRAPHITE |
| 15 | STUFFING BOX | A105+ENP,A182-F8,F304,F316,F304L,F316L,F321,F51,F53 |
| 15-1 | SEALING RING | SS304,SS316+FLEXIBLE GRAPHITE SPIRAL WOUND |
| 28 | CONNECTION PLATE | 1025,A216 WCB,A351 CF8 |
| 31 | O-RING | VITON |
| 31-1 | O-RING | NBR,VITON |
| 31-2 | O-RING | VITON |
| 38 | SEALING RING | FLEXIBLE GRAPHITE |
| 42 | SCREW | 1035,STAINLESS STEEL |
| 48 | PIN | 1045,STAINLESS STEEL |
| 53 | OIL CUP | 1025,SS304 |
| 53-1 | GREASE FITTING | 1025,SS304,SS316,SS304L,SS316L,SS321,F51,F53 |
| 56 | BEARING | 1045+RPTFE.,SS304+RPTFE.,SS316+RPTFE. |
| 56-1 | BEARING | 1045+RPTFE.,SS304+RPTFE.,SS316+RPTFE. |
| 62 | KEY | 1045 |
| 76 | BEARING RETAINER | A105,A216 WCB,STAINLESS STEEL |

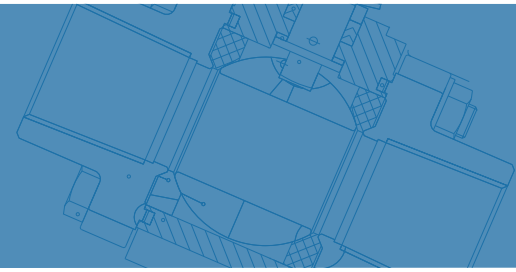


Fig No: MD-65-1500

DIMENSIONS(CLASS 1500Lb)

unit:mm

| SIZE | | L | L1 | L2 | E | E1 | H | H1 | Wt(kg) |
|-------------|----------------------|--------|--------|--------|-------|-------|-------|-------|--------|
| DN150 | 6" [⊕] | 705.0 | 711.0 | 705.0 | 380.0 | 400.0 | 305.0 | 281.0 | 340.0 |
| DN200XDN150 | 8"X6" [⊕] | 832.0 | 841.0 | 832.0 | 380.0 | 400.0 | 305.0 | 281.0 | 350.0 |
| DN200 | 8" [⊕] | 832.0 | 841.0 | 832.0 | 430.0 | 450.0 | 365.0 | 327.0 | 378.0 |
| DN250XDN200 | 10"X8" [⊕] | 991.0 | 1000.0 | 991.0 | 430.0 | 450.0 | 365.0 | 327.0 | 405.0 |
| DN250 | 10" [⊕] | 991.0 | 1000.0 | 991.0 | 510.0 | 500.0 | 440.0 | 392.0 | 450.0 |
| DN300XDN250 | 12"X10" [⊕] | 1130.0 | 1146.0 | 1130.0 | 510.0 | 500.0 | 440.0 | 392.0 | 650.0 |
| DN300 | 12" [⊕] | 1130.0 | 1146.0 | 1130.0 | 510.0 | 500.0 | 596.0 | 425.0 | 766.0 |
| DN350XDN300 | 14"X12" [⊕] | 1257.0 | 1276.0 | 1257.0 | 510.0 | 500.0 | 596.0 | 425.0 | 1068.0 |
| DN350 | 14" [⊕] | 1257.0 | 1276.0 | 1257.0 | 530.0 | 550.0 | 661.0 | 500.0 | 1112.0 |
| DN400XDN350 | 16"X14" [⊕] | 1384.0 | 1406.0 | 1384.0 | 530.0 | 550.0 | 661.0 | 500.0 | 1570.0 |
| DN400 | 16" [⊕] | 1384.0 | 1406.0 | 1384.0 | 530.0 | 550.0 | 725.0 | 560.0 | 1695.0 |
| DN450XDN400 | 18"X16" [⊕] | 1537.0 | 1559.0 | 1537.0 | 530.0 | 550.0 | 725.0 | 560.0 | 2138.0 |
| DN450 | 18" [⊕] | 1537.0 | 1559.0 | 1537.0 | -- | 812.0 | 789.0 | 590.0 | 2320.0 |
| DN500XDN450 | 20"X18" [⊕] | 1664.0 | 1686.0 | 1664.0 | -- | 812.0 | 789.0 | 590.0 | 1980.0 |
| DN500 | 20" [⊕] | 1664.0 | 1686.0 | 1664.0 | -- | 914.0 | 843.0 | 725.0 | 2940.0 |
| DN600XDN500 | 24"X20" [⊕] | 2043.0 | 2071.0 | 2043.0 | -- | 914.0 | 843.0 | 725.0 | 3310.0 |
| DN600 | 24" [⊕] | 2043.0 | 2071.0 | 2043.0 | -- | 914.0 | 978.0 | 813.0 | 4908.0 |

* [⊕] Reduce Bore [⊕] Regular Bore

* Modentic Reserves The Rights To Change Any Details Without Prior Notice.