



Fig No: MD-65-300

2" ~ 40" (3" x 2" ~ 36"x30")



Feature:

Design: API6D, ASME B16.34, API607/ API6FA fire safe design
 Side entry ball
 Anti-static design, Anti blow-out-stem
 Carbon steel or special alloy upon request
 Cast steel are also supplied in full compliance with NACE MR0175

Service:

General, Low Temperature, Cryogenic, Sub sea, Oil & Gas application, High temperature, Underground

Design:

3-pc Design, by forged
 Full Bore or Reduce Bore
 Face to face: ASME B16.10
 Butt Weld connection: ASME B16.25
 Pressure-Temperature Rating: ASME/ANSI B16.34
 Testing and inspection: API6D, API598

- Automatically Drain Plug (NPT) on Body(2"~4" - option, Upward 6" - Basic function)
- Double bleed and Block(2"~4" - option, Upward 6" - Basic function)
- Sealant Emergently Injection Fittings(2"~4" - option, Upward 6" - Basic function)

Options:

- With Locking Device
- Extended Stem (Cryogenic application)
- Actuator installation
- Gear Box

Size:2" ~ 4" (3" x 2" ~6" x 4")

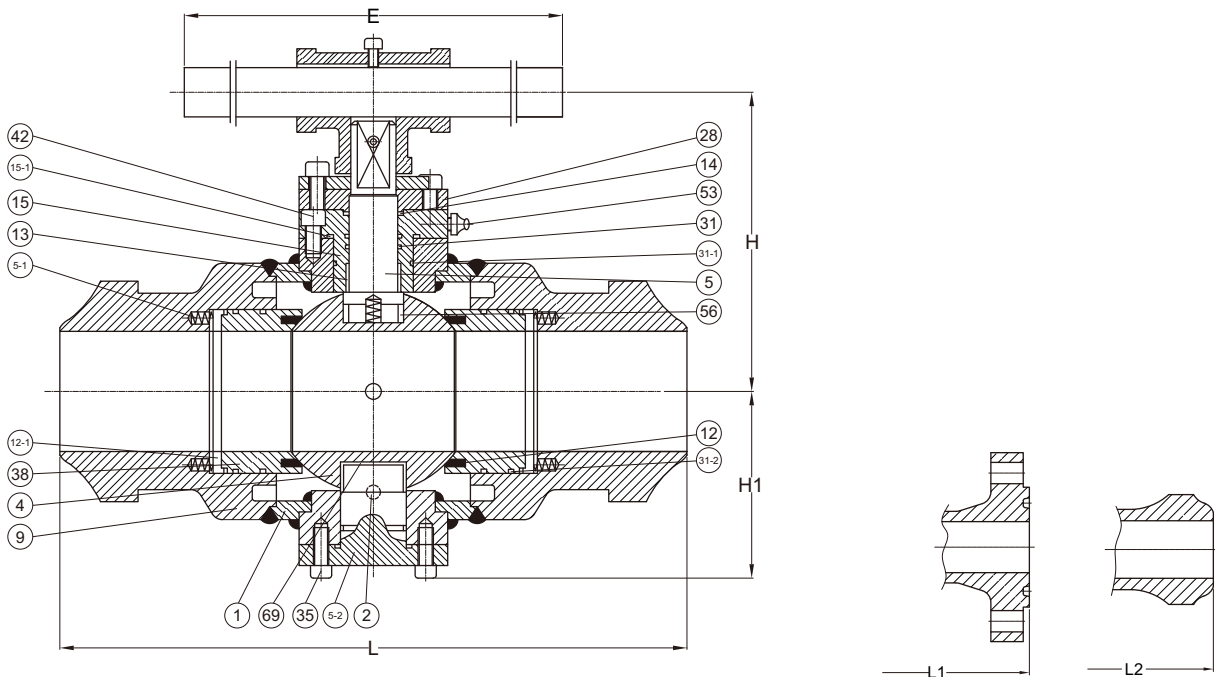




Fig No: MD-65-300

MATERIALS LIST

NO.	DESCRIPTION	MATERIAL
1	BODY	A105,A350-LF2,A182-F304,F316,F304L,F316L,F321,F51,F53
2	DRAIN VALVE AND PLUG	1025,SS304,SS316,SS304L,SS316L,SS321,F51,F53
4	BALL	A105+ENP,A350-LF2+ENP,A182-F8,F304,F316,F304L,F316L,F321,F51,F53
5	STEM	1045+ENP,A182-F6,F304,F316,F304L,F316L,F321,F51,F53,4140+ENP,17-4PH
5-1	SPRING	SS304,INCONE,1566+ENP
5-2	TRUNNION	1045+ENP,A182-F6,F304,F316,F304L,F316L,F321,F51,F53,4140+ENP,17-4PH
9	ADAPTER	A105,A350-LF2,A182-F304,F316,F304L,F316L,F321,F51,F53,A537
12	SEAT	PTFE,RTFE,PEEK,PPL,POM,KARBATE,NYLON,MOLON,DEVLON
12-1	SEAT RING	A105+ENP,A182-F8,F304,F316,F304L,F316L,F321,F51,F53
13	THRUST WASHER	PTFE,RTFE,STAINLESS STEEL+N
14	PACKING	FLEXIBLE GRAPHITE
28	CONNECTION PLATE	1025,A216 WCB,A351 CF8
15	STUFFING BOX	A105+ENP,A182-F8,F304,F316,F304L,F316L,F321,F51,F53
15-1	SEALING RING	SS304,SS316+FLEXIBLE GRAPHITE SPIRAL WOUND
31	O-RING	VITON
31-1	O-RING	NBR,VITON
31-2	O-RING	VITON
35	SCREW	1035,STAINLESS STEEL
38	SEALING RING	FLEXIBLE GRAPHITE
42	SCREW	1035,STAINLESS STEEL
53	OIL CUP	1025,SS304
56	BEARING	1045+RPTFE.,SS304+RPTFFE.,SS316+RPTFE.
69	ADJUSTING RING	PTFE,1045+RPTFE,STAINLESS STEEL+RPTFE

DIMENSIONS(CLASS 150Lb)

unit:mm

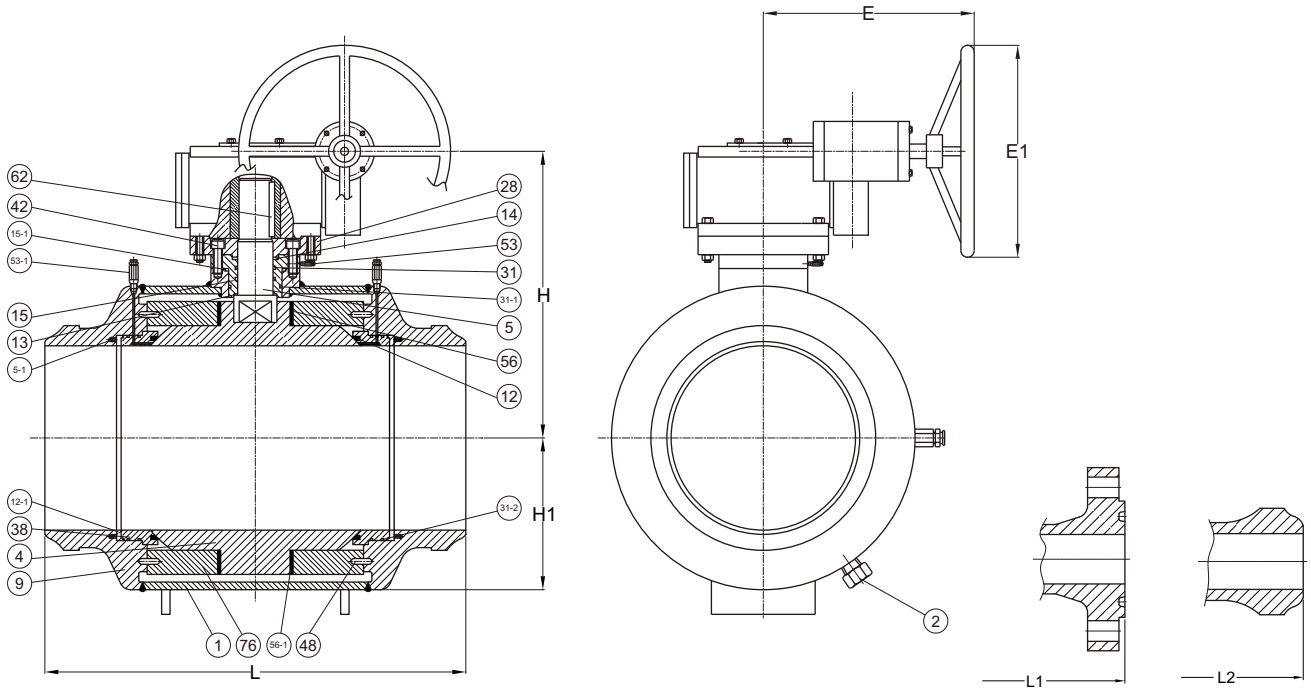
SIZE		L	L1	L2	E	H	H1	Wt (kg)
DN50	2"	216.0	232.0	216.0	250.0	158.0	87.0	23.0
DN65	2-1/2"	241.0	257.0	241.0	300.0	200.0	107.0	25.0
DN80XDN50	3"X2" [®]	283.0	298.0	283.0	250.0	158.0	87.0	28.0
DN80	3"	283.0	298.0	283.0	350.0	220.0	122.0	36.0
DN100XDN80	4"X3" [ⓐ]	305.0	321.0	305.0	350.0	220.0	122.0	50.0
DN100	4"	305.0	321.0	305.0	450.0	282.0	148.0	70.0
DN150XDN100	6"X4" [ⓐ]	403.0	419.0	403.0	450.0	282.0	148.0	90.0

* [®] Reduce Bore [ⓐ] Regular Bore



Fig No: MD-65-300

Size: 6" ~ 40" (8" x 6" ~ 36" x 30")



MATERIALS LIST

NO.	DESCRIPTION	MATERIAL
1	BODY	A105,A350-LF2,A182-F304,F316,F304L,F316L,F321,F51,F53
2	DRAIN VALVE AND PLUG	1025,SS304,SS316,SS304L,SS316L,SS321,F51,F53
4	BALL	A105+ENP,A350-LF2+ENP,A182-F8,F304,F316,F304L,F316L,F321,F51,F53
5	STEM	1045+ENP,A182-F6,F304,F316,F304L,F316L,F321,F51,F53,A140+ENP,17-4PH
5-1	SPRING	SS304,INCONE,1566+ENP
9	ADAPTER	A105,A350-LF2,A182-F304,F316,F304L,F316L,F321,F51,F53,A537
12	SEAT	PTFE,RTFE,PEEK,PPL,POM,KARBATE,NYLON,MOLON,DEVLON
12-1	SEAT RING	A105+ENP,A182-F8,F304,F316,F304L,F316L,F321,F51,F53
13	THRUST WASHER	PTFE,RTFE,STAINLESS STEEL+N
14	PACKING	FLEXIBLE GRAPHITE
15	STUFFING BOX	A105+ENP,A182-F8,F304,F316,F304L,F316L,F321,F51,F53
15-1	SEALING RING	SS304,SS316+FLEXIBLE GRAPHITE SPIRAL WOUND
28	CONNECTION PLATE	1025,A216 WCB,A351 CF8
31	O-RING	VITON
31-1	O-RING	NBR,VITON
31-2	O-RING	VITON
38	SEALING RING	FLEXIBLE GRAPHITE
42	SCREW	1035,STAINLESS STEEL
48	PIN	1045,STAINLESS STEEL
53	OIL CUP	1025,SS304
53-1	GREASE FITTING	1025,SS304,SS316,SS304L,SS316L,SS321,F51,F53
56	BEARING	1045+RPTFE.,SS304+RPTFE.,SS316+RPTFE.
56-1	BEARING	1045+RPTFE.,SS304+RPTFE.,SS316+RPTFE.
62	KEY	1045
76	BEARING RETAINER	A105,A216 WCB,STAINLESS STEEL

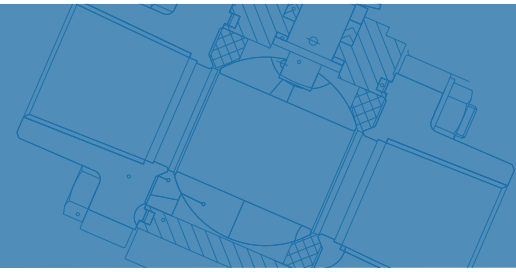


Fig No: MD-65-300

DIMENSIONS(CLASS 300Lb)

unit:mm

SIZE		L	L1	L2	E	E1	H	H1	Wt(kg)
DN150	6"	403.0	419.0	403.0	254.0	300.0	285.0	201.0	195.0
DN200XDN150	8"X6" Ⓞ	502.0	518.0	521.0	254.0	300.0	285.0	201.0	201.0
DN200	8"	502.0	518.0	521.0	270.0	300.0	368.0	232.0	213.0
DN250XDN200	10"X8" Ⓞ	568.0	584.0	559.0	270.0	300.0	368.0	232.0	275.0
DN250	10"	568.0	584.0	559.0	380.0	400.0	451.0	283.0	292.0
DN300XDN250	12"X10" Ⓞ	648.0	664.0	635.0	380.0	400.0	451.0	283.0	350.0
DN300	12"	648.0	664.0	635.0	380.0	400.0	570.0	335.0	390.0
DN350XDN300	14"X12" Ⓞ	762.0	778.0	762.0	380.0	400.0	570.0	335.0	580.0
DN350	14"	762.0	778.0	762.0	430.0	450.0	600.0	377.0	613.0
DN400XDN350	16"X14" Ⓞ	838.0	854.0	838.0	430.0	450.0	600.0	377.0	820.0
DN400	16"	838.0	854.0	838.0	510.0	500.0	638.0	396.0	903.0
DN450XDN400	18"X16" Ⓞ	914.0	930.0	914.0	510.0	500.0	638.0	396.0	1145.0
DN450	18"	914.0	930.0	914.0	510.0	500.0	750.0	437.0	1297.0
DN500XDN450	20"X18" Ⓞ	991.0	1010.0	991.0	510.0	500.0	750.0	437.0	1413.0
DN500	20"	991.0	1010.0	991.0	510.0	500.0	612.0	477.0	1640.0
DN600XDN500	24"X20" Ⓞ	1143.0	1165.0	1143.0	510.0	500.0	612.0	477.0	1989.0
DN550	22"	1092.0	1114.0	1092.0	530.0	550.0	656.0	575.0	2187.0
DN600	24"	1143.0	1165.0	1143.0	530.0	550.0	694.0	611.0	2736.0
DN750XDN600	30"X24" Ⓞ	1397.0	1422.0	1397.0	530.0	550.0	694.0	611.0	3328.0
DN650	26"	1245.0	1270.0	1245.0	530.0	550.0	743.0	660.0	3388.0
DN700	28"	1346.0	1372.0	1346.0	530.0	550.0	777.0	700.0	4050.0
DN750	30"	1397.0	1422.0	1397.0	--	762.0	830.0	740.0	4704.0
DN900XDN750	36"X30" Ⓞ	1727.0	1756.0	1727.0	--	762.0	830.0	740.0	5610.0
DN800	32"	1524.0	1533.0	1524.0	--	812.0	875.0	785.0	5506.0
DN850	34"	1626.0	1654.0	1626.0	--	914.0	910.0	832.0	6698.0
DN900	36"	1727.0	1756.0	1727.0	--	914.0	1100.0	889.0	7275.0
DN1000	40"	1850.0	--	1930.0	--	914.0	1256.0	923.0	9633.0

* Ⓞ Reduce Bore Ⓞ Regular Bore

* Modentic Reserves The Rights To Change Any Details Without Prior Notice.