

Fig No: MD-65-600

2" ~ 40" (3" x 2" ~ 36"x30")



Feature:

Design: API6D, ASME B16.34, API607/ API6FA fire safe design
 Side entry ball
 Anti-static design, Anti blow-out-stem
 Carbon steel or special alloy upon request
 Cast steel are also supplied in full compliance with NACE MR0175

Service:

General, Low Temperature, Cryogenic, Sub sea, Oil & Gas application, High temperature, Underground

Design:

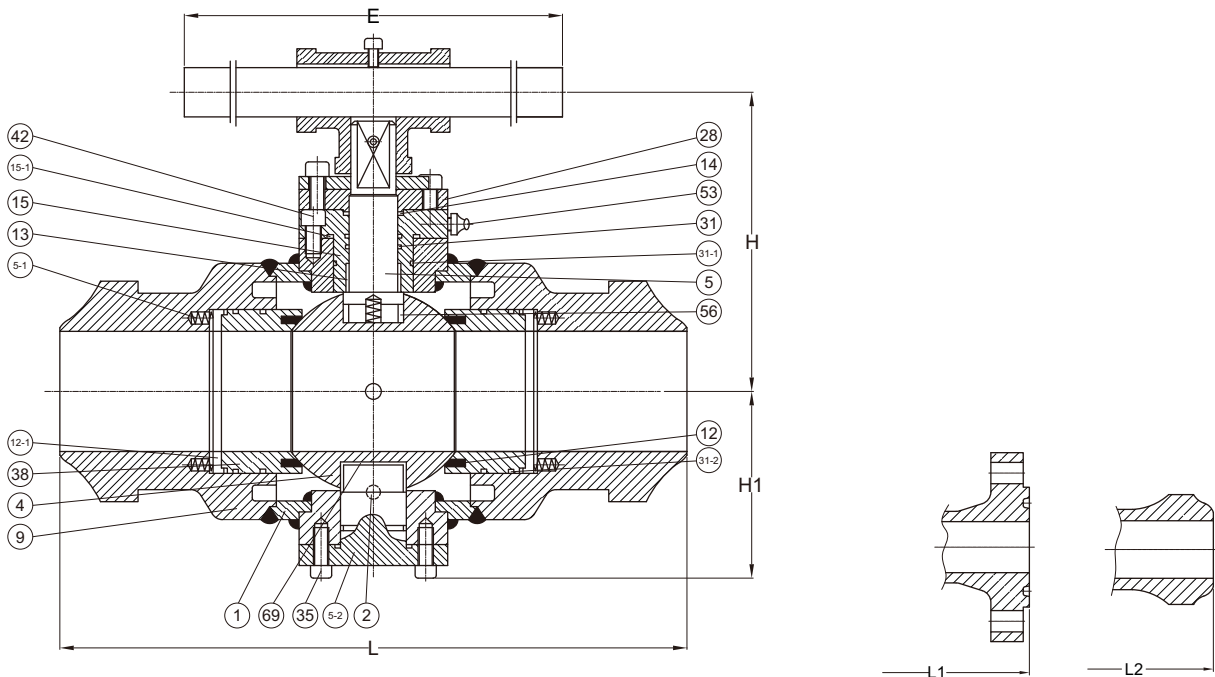
3-pc Design, by forged
 Full Bore or Reduce Bore
 Face to face: ASME B16.10
 Butt Weld connection: ASME B16.25
 Pressure-Temperature Rating: ASME/ANSI B16.34
 Testing and inspection: API6D, API598

- Automatically Drain Plug (NPT) on Body(2"~4" - option, Upward 6" - Basic function)
- Double bleed and Block(2"~4" - option, Upward 6" - Basic function)
- Sealant Emergently Injection Fittings(2"~4" - option, Upward 6" - Basic function)

Options:

- With Locking Device
- Extended Stem (Cryogenic application)
- Actuator installation
- Gear Box

Size:2" ~ 4" (3" x 2" ~6" x 4")



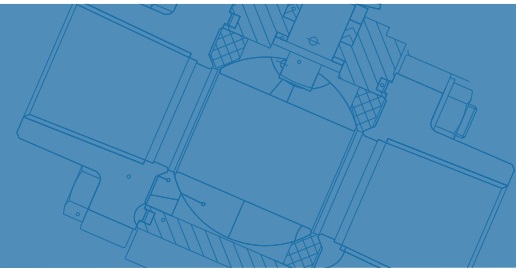


Fig No: MD-65-600

MATERIALS LIST

NO.	DESCRIPTION	MATERIAL
1	BODY	A105,A350-LF2,A182-F304,F316,F304L,F316L,F321,F51,F53
2	DRAIN VALVE AND PLUG	1025,SS304,SS316,SS304L,SS316L,SS321,F51,F53
4	BALL	A105+ENP,A350-LF2+ENP,A182-F8,F304,F316,F304L,F316L,F321,F51,F53
5	STEM	1045+ENP,A182-F6,F304,F316,F304L,F316L,F321,F51,F53,4140+ENP,17-4PH
5-1	SPRING	SS304,INCONE,1566+ENP
5-2	TRUNNION	1045+ENP,A182-F6,F304,F316,F304L,F316L,F321,F51,F53,4140+ENP,17-4PH
9	ADAPTER	A105,A350-LF2,A182-F304,F316,F304L,F316L,F321,F51,F53,A537
12	SEAT	PTFE,RTFE,PEEK,PPL,POM,KARBATE,NYLON,MOLON,DEVLON
12-1	SEAT RING	A105+ENP,A182-F8,F304,F316,F304L,F316L,F321,F51,F53
13	THRUST WASHER	PTFE,RTFE,STAINLESS STEEL+N
14	PACKING	FLEXIBLE GRAPHITE
28	CONNECTION PLATE	1025,A216 WCB,A351 CF8
15	STUFFING BOX	A105+ENP,A182-F8,F304,F316,F304L,F316L,F321,F51,F53
15-1	SEALING RING	SS304,SS316+FLEXIBLE GRAPHITE SPIRAL WOUND
31	O-RING	VITON
31-1	O-RING	NBR,VITON
31-2	O-RING	VITON
35	SCREW	1035,STAINLESS STEEL
38	SEALING RING	FLEXIBLE GRAPHITE
42	SCREW	1035,STAINLESS STEEL
53	OIL CUP	1025,SS304
56	BEARING	1045+RPTFE.,SS304+RPTFE.,SS316+RPTFE.
69	ADJUSTING RING	PTFE,1045+RPTFE,STAINLESS STEEL+RPTFE

DIMENSIONS(CLASS 600Lb)

unit:mm

SIZE		L	L1	L2	E	H	H1	Wt (kg)
DN50	2"	292.0	295.0	292.0	500.0	195.0	100.0	25.0
DN65	2-1/2"	330.0	333.0	330.0	600.0	212.0	115.0	30.0
DN80XDN50	3"X2" ®	356.0	359.0	356.0	500.0	195.0	100.0	35.0
DN80	3"	356.0	359.0	356.0	700.0	247.0	126.0	64.0
DN100XDN80	4"X3" ©	432.0	435.0	432.0	700.0	247.0	126.0	75.0
DN100	4"	432.0	435.0	432.0	900.0	275.0	154.0	100.0
DN150XDN100	6"X4" ©	559.0	562.0	559.0	900.0	275.0	154.0	114.0

* ® Reduce Bore © Regular Bore

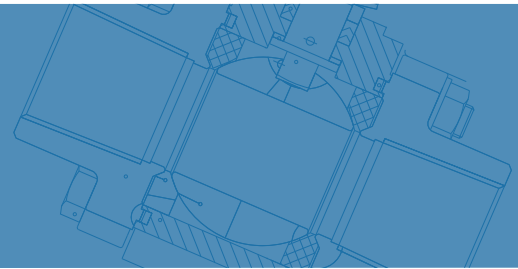
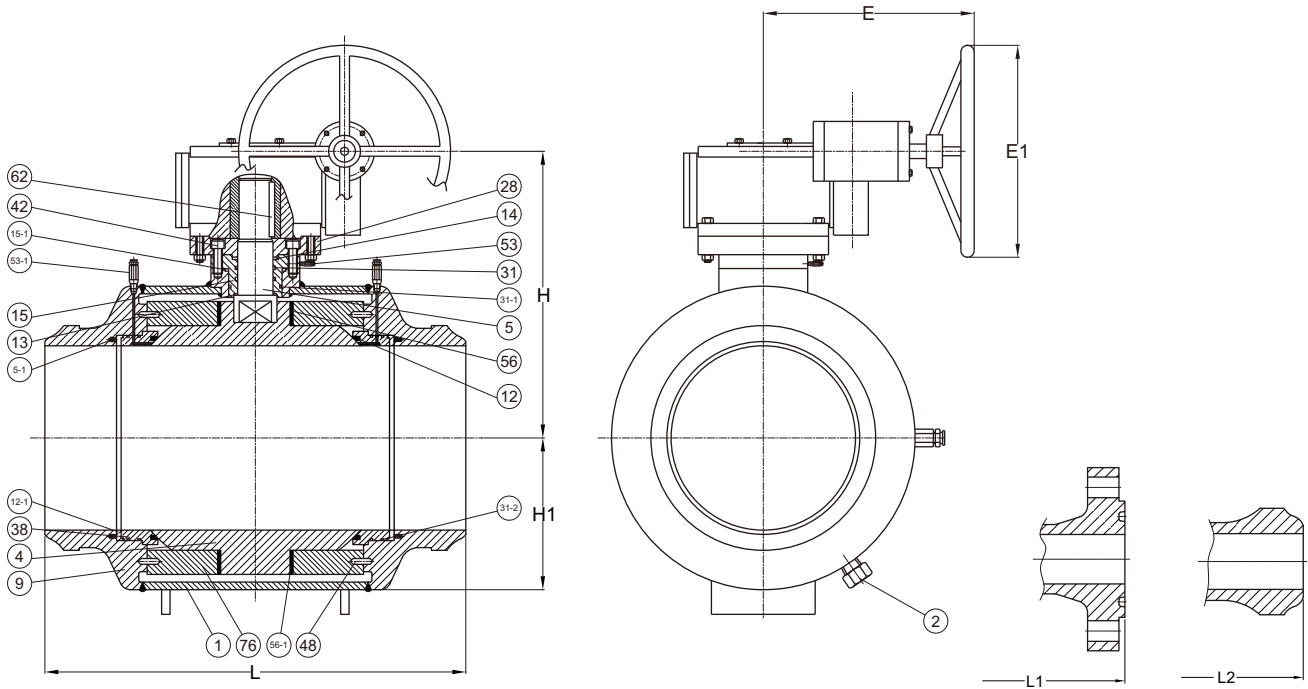


Fig No: MD-65-600

Size: 6" ~ 40" (8" x 6" ~ 36" x 30")



MATERIALS LIST

NO.	DESCRIPTION	MATERIAL
1	BODY	A105,A350-LF2,A182-F304,F316,F304L,F316L,F321,F51,F53
2	DRAIN VALVE AND PLUG	1025,SS304,SS316,SS304L,SS316L,SS321,F51,F53
4	BALL	A105+ENP,A350-LF2+ENP,A182-F8,F304,F316,F304L,F316L,F321,F51,F53
5	STEM	1045+ENP,A182-F6,F304,F316,F304L,F316L,F321,F51,F53,A140+ENP,17-4PH
5-1	SPRING	SS304,INCONE,1566+ENP
9	ADAPTER	A105,A350-LF2,A182-F304,F316,F304L,F316L,F321,F51,F53,A537
12	SEAT	PTFE,RTFE,PEEK,PPL,POM,KARBATE,NYLON,MOLON,DEVLON
12-1	SEAT RING	A105+ENP,A182-F8,F304,F316,F304L,F316L,F321,F51,F53
13	THRUST WASHER	PTFE,RTFE,STAINLESS STEEL+N
14	PACKING	FLEXIBLE GRAPHITE
15	STUFFING BOX	A105+ENP,A182-F8,F304,F316,F304L,F316L,F321,F51,F53
15-1	SEALING RING	SS304,SS316+FLEXIBLE GRAPHITE SPIRAL WOUND
28	CONNECTION PLATE	1025,A216 WCB,A351 CF8
31	O-RING	VITON
31-1	O-RING	NBR,VITON
31-2	O-RING	VITON
38	SEALING RING	FLEXIBLE GRAPHITE
42	SCREW	1035,STAINLESS STEEL
48	PIN	1045,STAINLESS STEEL
53	OIL CUP	1025,SS304
53-1	GREASE FITTING	1025,SS304,SS316,SS304L,SS316L,SS321,F51,F53
56	BEARING	1045+RPTFE.,SS304+RPTFE.,SS316+RPTFE.
56-1	BEARING	1045+RPTFE.,SS304+RPTFE.,SS316+RPTFE.
62	KEY	1045
76	BEARING RETAINER	A105,A216 WCB,STAINLESS STEEL

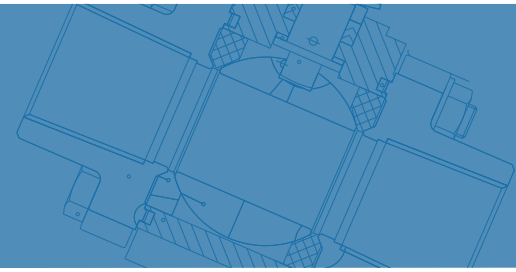


Fig No: MD-65-600

DIMENSIONS(CLASS 600Lb)

unit:mm

SIZE		L	L1	L2	E	E1	H	H1	Wt(kg)
DN150	6"	559.0	562.0	559.0	254.0	300.0	350.0	216.0	243.0
DN200XDN150	8"X6" Ⓒ	660.0	664.0	660.0	254.0	300.0	350.0	216.0	249.0
DN200	8"	660.0	664.0	660.0	342.0	400.0	355.0	254.0	254.0
DN250XDN200	10"X8" Ⓒ	787.0	791.0	787.0	342.0	400.0	355.0	254.0	--
DN250	10"	787.0	791.0	787.0	342.0	400.0	484.0	296.0	346.0
DN300XDN250	12"X10" Ⓒ	838.0	841.0	838.0	342.0	400.0	484.0	296.0	450.0
DN300	12"	838.0	841.0	838.0	380.0	400.0	549.0	345.0	534.0
DN350XDN300	14"X12" Ⓒ	889.0	892.0	889.0	380.0	400.0	549.0	345.0	618.0
DN350	14"	889.0	892.0	889.0	430.0	450.0	608.0	378.0	782.0
DN400XDN350	16"X14" Ⓒ	991.0	994.0	991.0	430.0	450.0	608.0	378.0	1008.0
DN400	16"	991.0	994.0	991.0	510.0	500.0	630.0	416.0	1205.0
DN450XDN400	18"X16" Ⓒ	1092.0	1095.0	1092.0	510.0	500.0	630.0	416.0	1422.0
DN450	18"	1092.0	1095.0	1092.0	510.0	500.0	670.0	460.0	1595.0
DN500XDN450	20"X18" Ⓒ	1194.0	1200.0	1194.0	510.0	500.0	670.0	460.0	1643.0
DN500	20"	1194.0	1200.0	1194.0	530.0	550.0	712.0	477.0	2038.0
DN600XDN500	24"X20" Ⓒ	1397.0	1407.0	1397.0	530.0	550.0	712.0	477.0	2686.0
DN550	22"	1295.0	1305.0	1295.0	--	812.0	758.0	522.0	2708.0
DN600	24"	1397.0	1407.0	1397.0	--	812.0	798.0	558.0	3396.0
DN750XDN600	30"X24" Ⓒ	1651.0	1664.0	1651.0	--	812.0	798.0	558.0	4496.0
DN650	26"	1448.0	1461.0	1448.0	--	812.0	850.0	507.0	4154.0
DN700	28"	1549.0	1562.0	1549.0	--	812.0	885.0	645.0	5108.0
DN750	30"	1651.0	1664.0	1651.0	--	914.0	940.0	684.0	4704.0
DN900XDN750	36"X30" Ⓒ	2083.0	2099.0	2083.0	--	914.0	940.0	684.0	7051.0
DN800	32"	1778.0	1794.0	1778.0	--	914.0	988.0	735.0	6906.0
DN850	34"	1930.0	1946.0	1930.0	--	914.0	1028.0	783.0	8238.0
DN900	36"	2083.0	2099.0	2083.0	--	914.0	1068.0	845.0	9860.0
DN1000	40"	2080.0	--	2170.0	--	914.0	1188.0	920.0	13583.0

* Ⓒ Reduce Bore Ⓓ Regular Bore

* Modentic Reserves The Rights To Change Any Details Without Prior Notice.