



Fig No: MD-65-900

2" ~ 36" (3" x 2" ~ 36"x30")



Feature:

Design: API6D, ASME B16.34, API607/ API6FA fire safe design
 Side entry ball
 Anti-static design, Anti blow-out-stem
 Carbon steel or special alloy upon request
 Cast steel are also supplied in full compliance with NACE MR0175

Service:

General, Low Temperature, Cryogenic, Sub sea, Oil & Gas application, High temperature, Underground

Design:

3-pc Design, by forged
 Full Bore or Reduce Bore
 Face to face: ASME B16.10
 Butt Weld connection: ASME B16.25
 Pressure-Temperature Rating: ASME/ANSI B16.34
 Testing and inspection: API6D, API598

- Automatically Drain Plug (NPT) on Body(2"~4" - option, Upward 6" - Basic function)
- Double bleed and Block(2"~4" - option, Upward 6" - Basic function)
- Sealant Emergently Injection Fittings(2"~4" - option, Upward 6" - Basic function)

Options:

- With Locking Device
- Extended Stem (Cryogenic application)
- Actuator installation
- Gear Box

Size:2" ~ 4" (3" x 2" ~6" x 4")

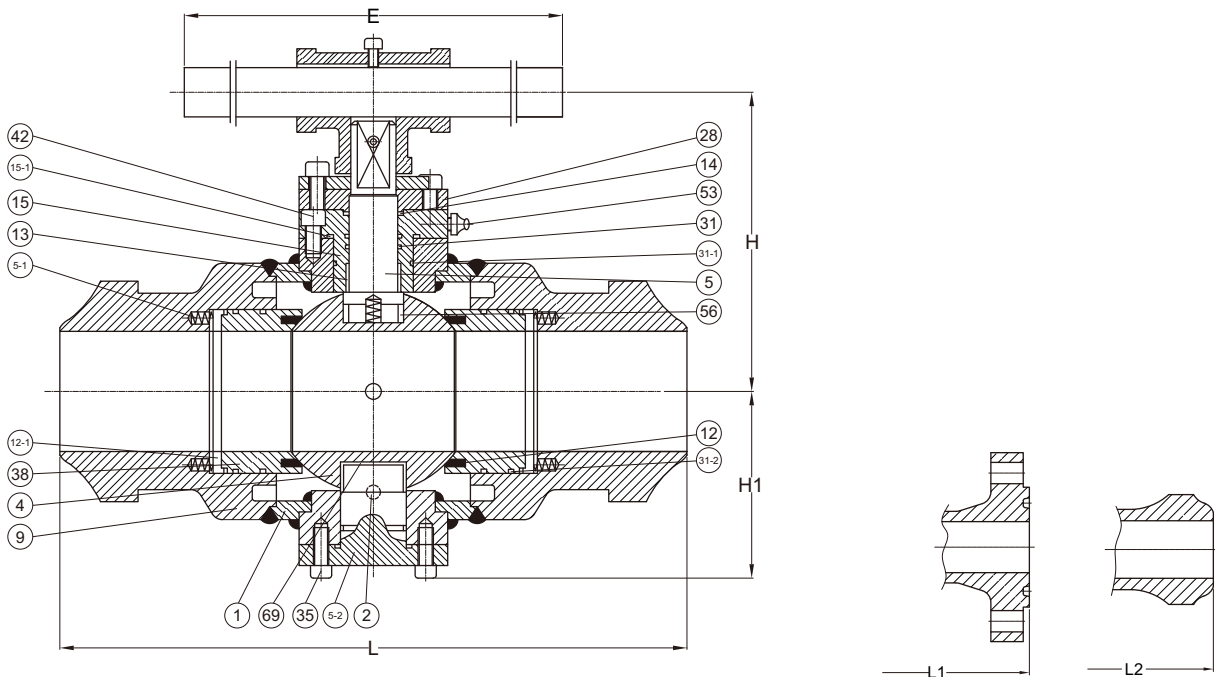




Fig No: MD-65-900

MATERIALS LIST

NO.	DESCRIPTION	MATERIAL
1	BODY	A105,A350-LF2,A182-F304,F316,F304L,F316L,F321,F51,F53
2	DRAIN VALVE AND PLUG	1025,SS304,SS316,SS304L,SS316L,SS321,F51,F53
4	BALL	A105+ENP,A350-LF2+ENP,A182-F8,F304,F316,F304L,F316L,F321,F51,F53
5	STEM	1045+ENP,A182-F6,F304,F316,F304L,F316L,F321,F51,F53,4140+ENP,17-4PH
5-1	SPRING	SS304,INCONE,1566+ENP
5-2	TRUNNION	1045+ENP,A182-F6,F304,F316,F304L,F316L,F321,F51,F53,4140+ENP,17-4PH
9	ADAPTER	A105,A350-LF2,A182-F304,F316,F304L,F316L,F321,F51,F53,A537
12	SEAT	PTFE,RTFE,PEEK,PPL,POM,KARBATE,NYLON,MOLON,DEVLON
12-1	SEAT RING	A105+ENP,A182-F8,F304,F316,F304L,F316L,F321,F51,F53
13	THRUST WASHER	PTFE,RTFE,STAINLESS STEEL+N
14	PACKING	FLEXIBLE GRAPHITE
28	CONNECTION PLATE	1025,A216 WCB,A351 CF8
15	STUFFING BOX	A105+ENP,A182-F8,F304,F316,F304L,F316L,F321,F51,F53
15-1	SEALING RING	SS304,SS316+FLEXIBLE GRAPHITE SPIRAL WOUND
31	O-RING	VITON
31-1	O-RING	NBR,VITON
31-2	O-RING	VITON
35	SCREW	1035,STAINLESS STEEL
38	SEALING RING	FLEXIBLE GRAPHITE
42	SCREW	1035,STAINLESS STEEL
53	OIL CUP	1025,SS304
56	BEARING	1045+RPTFE.,SS304+RPTFE.,SS316+RPTFE.
69	ADJUSTING RING	PTFE,1045+RPTFE,STAINLESS STEEL+RPTFE

DIMENSIONS(CLASS 900Lb)

unit:mm

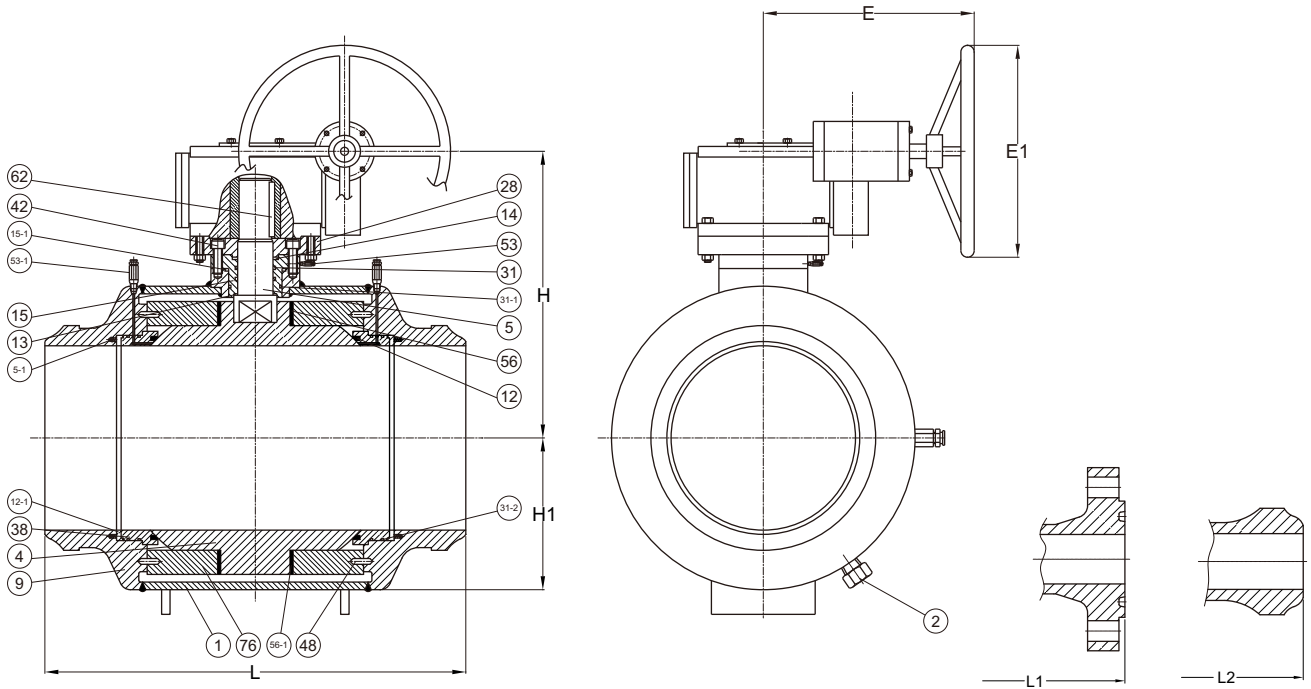
SIZE		L	L1	L2	E	H	H1	Wt (kg)
DN50	2"	368.0	371.0	368.0	500.0	217.0	118.5	42.0
DN65	2-1/2"	419.0	422.0	419.0	600.0	241.0	129.0	49.0
DN80XDN50	3"X2" ®	381.0	384.0	381.0	500.0	217.0	118.5	53.0
DN80	3"	381.0	384.0	381.0	900.0	259.0	141.0	65.0
DN100XDN80	4"X3" ©	457.0	460.0	457.0	900.0	259.0	141.0	80.0
DN100	4"	457.0	460.0	457.0	1000.0	297.0	167.0	103.0
DN150XDN100	6"X4" ©	610.0	613.0	610.0	1000.0	297.0	167.0	154.0

* ® Reduce Bore © Regular Bore



Fig No: MD-65-900

Size: 6" ~ 36" (8" x 6" ~ 36" x 30")



MATERIALS LIST

NO.	DESCRIPTION	MATERIAL
1	BODY	A105,A350-LF2,A182-F304,F316,F304L,F316L,F321,F51,F53
2	DRAIN VALVE AND PLUG	1025,SS304,SS316,SS304L,SS316L,SS321,F51,F53
4	BALL	A105+ENP,A350-LF2+ENP,A182-F8,F304,F316,F304L,F316L,F321,F51,F53
5	STEM	1045+ENP,A182-F6,F304,F316,F304L,F316L,F321,F51,F53,A140+ENP,17-4PH
5-1	SPRING	SS304,INCONE,1566+ENP
9	ADAPTER	A105,A350-LF2,A182-F304,F316,F304L,F316L,F321,F51,F53,A537
12	SEAT	PTFE,RTFE,PEEK,PPL,POM,KARBATE,NYLON,MOLON,DEVLON
12-1	SEAT RING	A105+ENP,A182-F8,F304,F316,F304L,F316L,F321,F51,F53
13	THRUST WASHER	PTFE,RTFE,STAINLESS STEEL+N
14	PACKING	FLEXIBLE GRAPHITE
15	STUFFING BOX	A105+ENP,A182-F8,F304,F316,F304L,F316L,F321,F51,F53
15-1	SEALING RING	SS304,SS316+FLEXIBLE GRAPHITE SPIRAL WOUND
28	CONNECTION PLATE	1025,A216 WCB,A351 CF8
31	O-RING	VITON
31-1	O-RING	NBR,VITON
31-2	O-RING	VITON
38	SEALING RING	FLEXIBLE GRAPHITE
42	SCREW	1035,STAINLESS STEEL
48	PIN	1045,STAINLESS STEEL
53	OIL CUP	1025,SS304
53-1	GREASE FITTING	1025,SS304,SS316,SS304L,SS316L,SS321,F51,F53
56	BEARING	1045+RPTFE.,SS304+RPTFE.,SS316+RPTFE.
56-1	BEARING	1045+RPTFE.,SS304+RPTFE.,SS316+RPTFE.
62	KEY	1045
76	BEARING RETAINER	A105,A216 WCB,STAINLESS STEEL

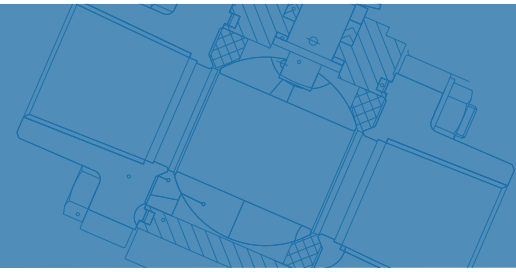


Fig No: MD-65-900

DIMENSIONS(CLASS 900Lb)

unit:mm

SIZE		L	L1	L2	E	E1	H	H1	Wt(kg)
DN150	6"	610.0	613.0	610.0	380.0	400.0	360.0	250.0	300.0
DN200XDN150	8"X6" Ⓒ	737.0	740.0	737.0	380.0	400.0	360.0	250.0	198.0
DN200	8"	737.0	740.0	737.0	430.0	450.0	394.0	280.0	335.0
DN250XDN200	10"X8" Ⓒ	838.0	841.0	838.0	430.0	450.0	394.0	260.0	385.0
DN250	10"	838.0	841.0	838.0	510.0	500.0	502.0	325.0	415.0
DN300XDN250	12"X10" Ⓒ	965.0	968.0	965.0	510.0	500.0	502.0	325.0	575.0
DN300	12"	965.0	968.0	965.0	510.0	500.0	572.0	380.0	632.0
DN350XDN300	14"X12" Ⓒ	1029.0	1038.0	1029.0	510.0	500.0	572.0	380.0	892.0
DN350	14"	1029.0	1038.0	1029.0	530.0	550.0	675.0	395.0	944.0
DN400XDN350	16"X14" Ⓒ	1130.0	1140.0	1130.0	530.0	550.0	675.0	395.0	1391.0
DN400	16"	1130.0	1140.0	1130.0	530.0	550.0	762.0	406.0	1455.0
DN450XDN400	18"X16" Ⓒ	1219.0	1232.0	1219.0	530.0	550.0	762.0	406.0	1742.0
DN450	18"	1219.0	1232.0	1219.0	530.0	550.0	868.0	418.0	1936.0
DN500XDN450	20"X18" Ⓒ	1321.0	1334.0	1321.0	530.0	550.0	868.0	418.0	2210.0
DN500	20"	1321.0	1334.0	1321.0	530.0	550.0	910.0	465.0	2500.0
DN600XDN500	24"X20" Ⓒ	1549.0	1568.0	1549.0	530.0	550.0	910.0	465.0	3150.0
DN600	24"	1549.0	1568.0	1549.0	--	812.0	1020.0	553.0	4084.0
DN750XDN600	30"X24" Ⓒ	1880.0	1902.0	1880.0	--	812.0	1020.0	553.0	5822.0
DN650	26"	1651.0	1674.0	1651.0	--	914.0	1082.0	602.0	5012.0
DN700	28"	1753.0	1775.0	1753.0	--	914.0	1135.0	666.0	6066.0
DN750	30"	1880.0	1902.0	1880.0	--	914.0	1175.0	716.0	6707.0
DN900XDN750	36"X30" Ⓒ	2286.0	2315.0	2286.0	--	914.0	1175.0	716.0	8725.0
DN800	32"	2032.0	2054.0	2032.0	--	914.0	1255.0	774.0	8354.0
DN850	34"	2159.0	2188.0	2159.0	--	914.0	1301.0	814.0	9835.0
DN900	36"	2286.0	2315.0	2286.0	--	914.0	1445.0	893.0	12444.0

* Ⓒ Reduce Bore Ⓒ Regular Bore

* Modentic Reserves The Rights To Change Any Details Without Prior Notice.