

Fig No: MV-1222 2"~ 24"
DN50 ~ DN600



Features :

- Highest Degree of Tightness
- Low Pressure Drop
- Free of Maintenance
- Low Friction
- Seat : NBR / EPDM / Viton / Metal

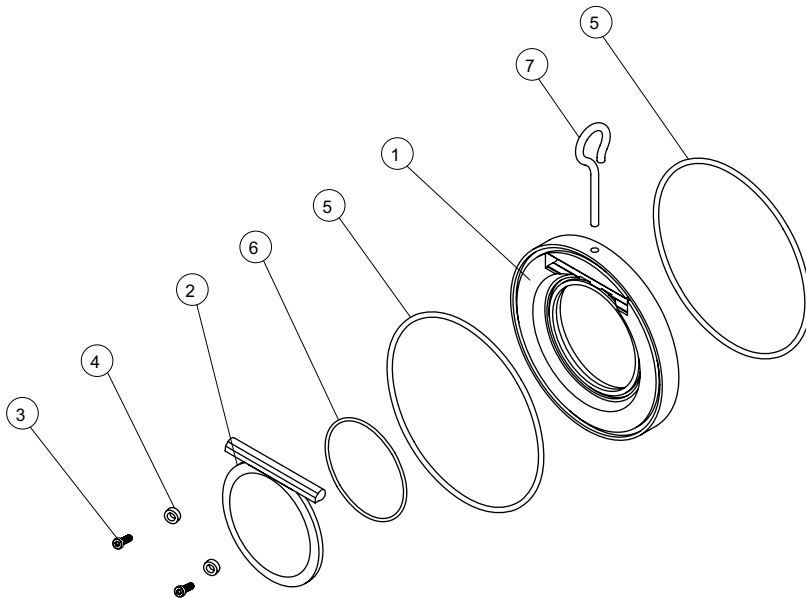
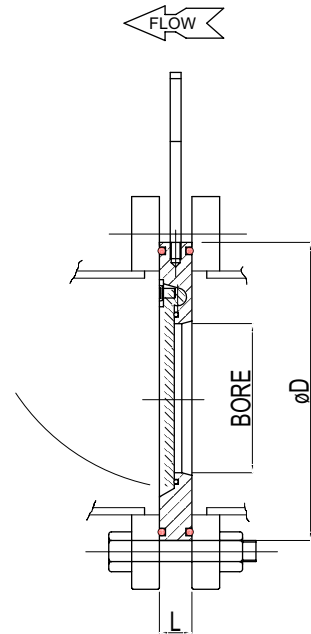
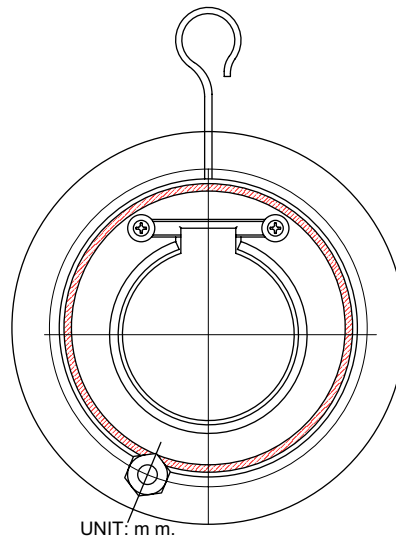
Standard Compliance :

ASTM ASME B16.34 API 6D API 598 API 600 ANSI B16.5
BS 10 Table E

Specifications:

Design According to API 6D
Shell Well Thickness According to API 6D
Face to Face According to API 6D
Flanged Dimension According to ANSI B16.5
Pressure -Temperature Rating According to ASME B16.34
Pressure Test According to API 6D

| NO. | PARTS NAME | MATERIALS |
|-----|--------------|-----------|
| 1 | BODY | A351 CF8M |
| 2 | DISC | A351 CF8M |
| 3 | RETAINER | SUS 316 |
| 4 | BUSH | SUS 316 |
| 5 | CLAPPER SEAL | NBR |
| 6 | BODY SEAL | NBR |
| 7 | EYE BOLT | SUS 316 |



DIMENSIONS mm

| SIZE | øD | L | BORE | |
|--------|-------|-------|------|-------|
| 2" | DN50 | 105.0 | 19.0 | 30.0 |
| 2-1/2" | DN65 | 124.0 | 19.0 | 42.0 |
| 3" | DN80 | 137.0 | 19.0 | 50.0 |
| 4" | DN100 | 175.0 | 19.0 | 72.0 |
| 5" | DN125 | 197.0 | 19.0 | 93.0 |
| 6" | DN150 | 222.0 | 19.0 | 113.0 |
| 8" | DN200 | 279.0 | 29.0 | 142.0 |
| 10" | DN250 | 340.0 | 29.0 | 190.0 |
| 12" | DN300 | 410.0 | 38.0 | 221.0 |
| 14" | DN350 | 451.0 | 44.0 | 260.0 |
| 16" | DN400 | 514.0 | 51.0 | 306.0 |
| 18" | DN450 | 549.0 | 60.0 | 358.0 |
| 20" | DN500 | 606.0 | 64.0 | 408.0 |
| 24" | DN600 | 660.0 | 70.0 | 510.0 |