

Fig No: NV-0060 1/8" ~ 1"
DN6 ~ DN25



Features :

Provide Bubble – Tight Shut Off of Liquids or Gases
Primarily to Closely Regulates Fine Flow
Metal to Metal Design for a Bubble Tight Seal
Teflon Back – Up Ring Stem Seals

Standard Compliance :

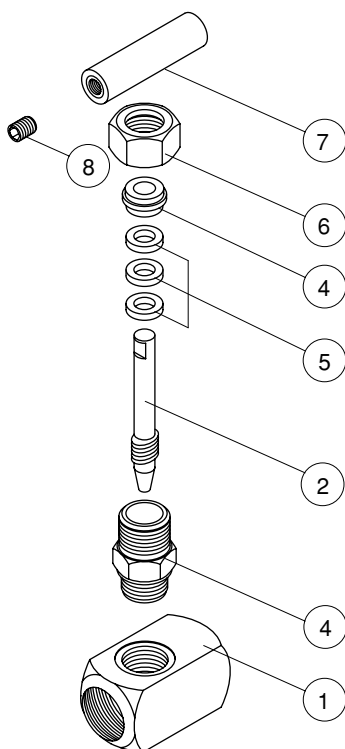
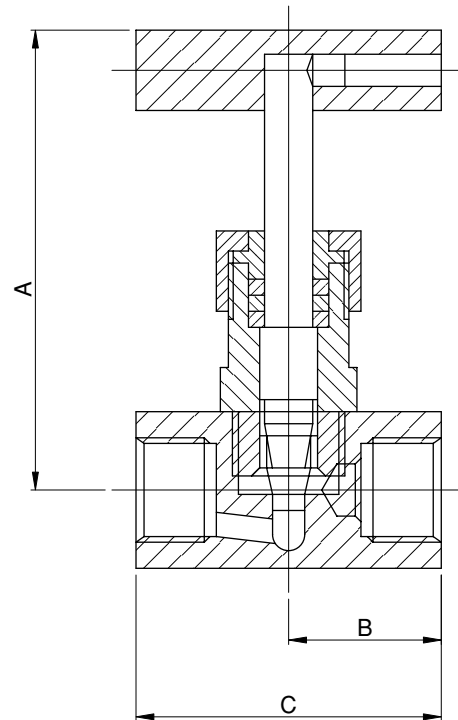
ASTM ASME B16.34 API 598
BS 21(BSPT) ISO 7-1 ISO 228-1 BS 21(BSPP) DIN 2999
ANSI B1.20.1(NPT)

Specifications:

Design According to ANSI B16.34
End Connection : Threaded End
Working Pressure : 6000 psi (CWP)
Temperature Range : - 4 to 356°F / - 20 to 180°C
Pressure Test According to API 598 or EN 12266

MATERIAL LIST

NO	PARTS NAME	MATERIAL
1	BODY	A351 Gr. CF8M
2	STEM	SS316
3	BONNET	A351 Gr. CF8M
4	GLAND BUSH	SS304
5	STEM PACKING	PTFE
6	GLAND NUT	SS304
7	T BAR	SS 410
8	SET SCREW	SS304



DIMENSIONS

unit: mm

SIZE	A	B	C	
DN6	1/8"	75.0	29.0	58.0
DN8	1/4"	75.0	29.0	58.0
DN10	3/8"	75.0	29.0	58.0
DN15	1/2"	87.0	32.5	65.0
DN20	3/4"	90.0	35.0	70.0
DN25	1"	103.0	40.0	80.0