

Fig No: NV-0062

1/4"~ 1" DN8 ~ DN25



Features :

Investment cast component
 Provide Bubble- tight shut off for liquid and gas
 Metal to metal design,
 Fire safe design as an option

Standard Compliance :

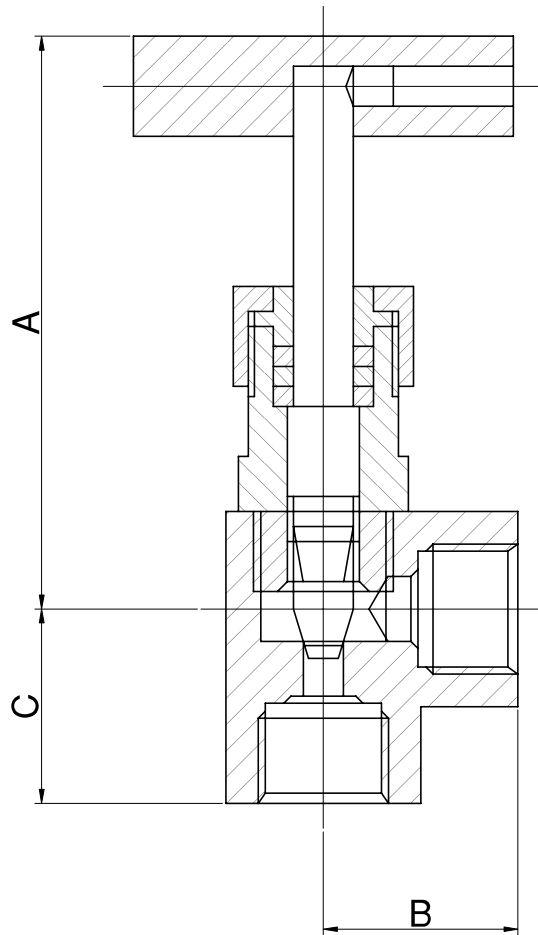
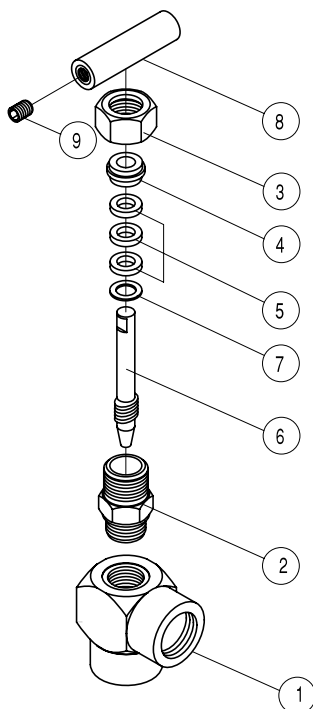
Ball wall thickness : EN 12516-1/3
 Threaded end : BS 21 (BSP)
 BSPT
 ISO 228-1
 DIN 2999
 ISO 7-1Rp
 Face to Face : MFG's standard
 Body material : EN 1503-1

Specification :

End Connection : Threaded end
 Working pressure : PN 420 bar (CWP)
 Temperature : -20 ~ 180°C

MATERIAL LIST

NO	PARTS NAME	MATERIAL
1	BODY	CF8M/Pr EN1503-2
2	BONNET	CF8M/Pr EN1503-2
3	GLAND NUT	SS 304
4	GLAND	SS 304
5	PACKING	PTFE
6	STEM	SS316
7	WASHER	SS316
8	HANDLE	SS 410
9	SET SCREW	SS 304



DIMENSIONS

UNIT : mm

SIZE	A	B	C
DN8	1/4"	75.0	29.0
DN10	3/8"	75.0	29.0
DN15	1/2"	87.0	34.0
DN20	3/4"	90.0	38.0
DN25	1"	103.0	45.0