

Fig No. SC-200 Full Bore
1/4" ~ 3" DN8 ~ DN80



Features :

Investment casting component
 Screwed bonnet, Solid wedge disc
 For general chemical and industrial application

Standard Compliance :

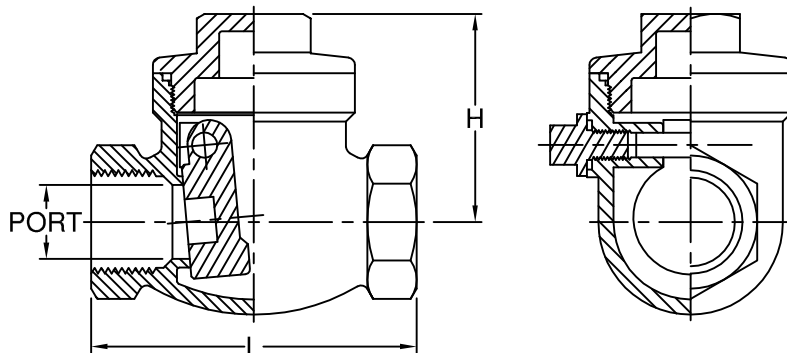
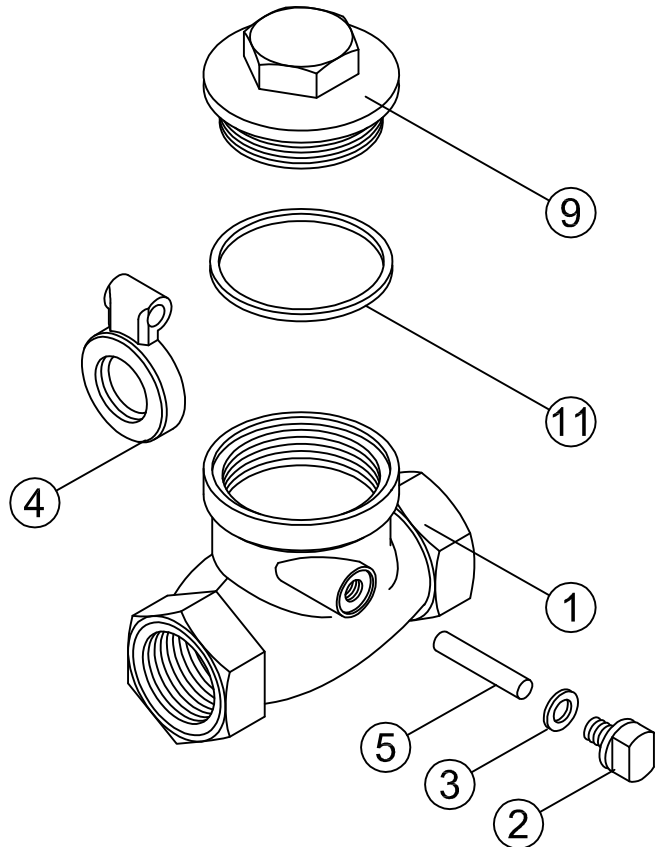
Body wall thickness : EN 12516-1/3
 Threaded end : BS 21 (BSP)
 BSPT
 ISO 228-1
 DIN 2999
 ISO 7-1Rp
 Pressure testing : EN12266
 Body material : EN 1503-1

Specification :

End connection : Threaded end
 Working pressure : 16 Bar (CWP)
 Temperature : -20 ~ 180°C
 Operating pressure : 0.15kgf/cm²

MATERIALS LIST

NO.	PART NAME	MATERIAL
1	BODY	1.4408/EN1503-1
2	PLUG	SS316
3	PLUG SEAL	PTFE.
4	DISC	ASTM A351Gr.CF8M
5	HANGER PIN	SS316
9	END CAP	1.4408/EN1503-1
11	BODY SEAL	PTFE.



DIMENSIONS

unit:mm

SIZE	PORT	L	H	
DN8	1/4"	11.0	65.0	42.0
DN10	3/8"	15.0	65.0	42.0
DN15	1/2"	15.0	65.0	42.0
DN20	3/4"	20.0	80.0	51.0
DN25	1"	25.0	90.0	60.0
DN32	1-1/4"	32.0	105.0	67.0
DN40	1-1/2"	40.0	120.0	75.0
DN50	2"	50.0	140.0	81.0
DN65	2-1/2"	65.0	180.0	93.0
DN80	3"	80.0	200.0	104.0