

**Fig No:SF-2500** 2"~ 8"  
DN50~DN200

**Features:**

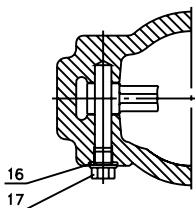
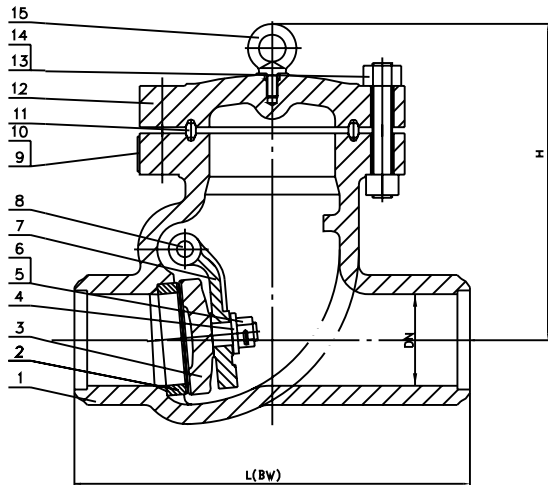
- Swing type design
- Bolted Bonnet
- Body and Bonnet joint accurately machined, Full enclosed gasket
- Disc-Robust one-piece construction to withstand the severe shock of check valve service
- Disc assembly-All parts are accessible from top for easy servicing
- Seat face stellited, ground and lapped to a mirror finish

**Sample Castings:**

Before castings are released for production, the Modentic NDE inspector level, evaluates and approves the submitted x-ray films (100% coverage) as per ASME B16.34 acceptance standard. Improves the internal integrity of castings (RT level 2 or better) at pattern approval.

**Standard compliance:**

- Valve design according to API 600, BS 1868
- Shell wall Thickness according to API 600, BS 1868 class 2500
- Pressure-temperature rating according to ASME/ANSI B16.34
- Material according to ASTM
- End to end according to ASME/ANSI B16.10 class 2500 BW
- Butt weld dimension according to ASME/ANSI B16.25
- Pressure testing according to API 598



**DIMENSIONS**

unit:mm

SIZE	DN	L(BW)	H
2"	50	451	350
2.5"	65	508	380
3"	80	578	423
4"	100	673	465
6"	150	914	515
8"	200	1022	580

**MATERIAL LIST**

NO	PART NAME	MATERIAL
1	Body	A216-WCB
2	Seat Ring	A105+STL
3	Disc	A216-WCB+410
4	Washer	STAINLESS STEEL
5	Disc NUT	A276-420
6	Disc Pin	A276-410
7	Hinge	A216-WCB
8	Pin	A276-410
9	Name plate	STAINLESS STEEL
10	Rivet	STAINLESS STEEL
11	Gasket	Ring Joint-Soft iron
12	Cover	A216-WCB
13	Bolt	A193-B7
14	Nut	A194-2H
15	Lifting Ring	Carbon Steel
16	Seal Ring	Carbon Steel
17	Plug	A276-410

Other Materials Also Available On Requested