

Fig No. V-106 Full Bore
1/4" ~ 3" DN8 ~ 80



Features :

Two Piece body design
 Investment cast Component, Blow-out-proof Stem
 For Industrial, chemical application
 Carbon Steel & Super Alloy upon request

Standard Compliance :

Body wall thickness : EN 12516-1/3
 Threaded end : BS 21 (BSP)
 BSPT
 ISO 228-1
 DIN 2999
 ISO7-1Rp
 Face to Face : MD's Standard
 Body Material : EN 1503-1
 Pressure Testing : EN12266

Specification

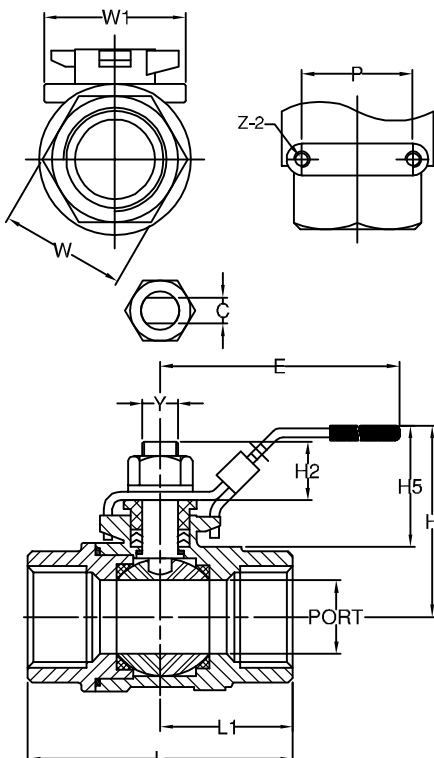
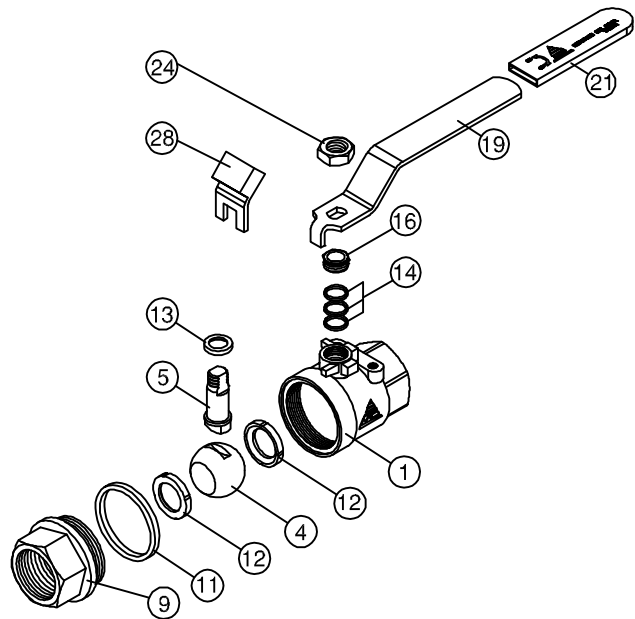
End Connection : Threaded end
 Working Pressure : 63 Bar (CWP) for DN8-50
 40 Bar (CWP) for DN65- 80
 Temperature : -20 ~ 180° C

Option :

- 1. Locking Device

MATERIALS LIST

NO.	PART NAME	MATERIAL
1	BODY	1.4408/EN1503-1
4	BALL	ASTM A351 Gr.CF8M
5	STEM	SS316
9	END CAP	1.4408/EN1503-1
11	BODY SEAL	PTFE.
12	SEAT	PTFE.
13	THRUST WASHER	PTFE.
14	STEM PACKING	PTFE.
16	GLAND NUT	SS304
19	HANDLE	SS304
21	HANDLE COVER	PLASTIC
24	HANDLE NUT	SS304
28	LOCKING DEVICE	SS304(OPTION)



DIMENSIONS

unit:mm

SIZE	PORT	L	L1	E	H	H2	H5	C	Y	W	W1	P	Z-2	
DN8	1/4"	11.5	54.4	25.4	103.9	50.0	9.5	35.5	4.0	5/16-24P	22.0	38.5	28.0	M5x0.8P-2
DN10	3/8"	12.5	54.4	25.4	103.9	50.0	9.5	35.5	4.0	5/16-24P	22.0	38.5	28.0	M5x0.8P-2
DN15	1/2"	15.0	65.3	30.9	123.0	56.5	12.4	42.3	5.0	3/8-16P	25.0	38.6	28.0	M5x0.8P-2
DN20	3/4"	20.0	77.3	39.9	123.0	60.5	12.2	42.5	5.0	3/8-16P	32.0	45.8	35.0	M6x1.0P-2
DN25	1"	25.0	88.7	44.3	145.0	69.3	17.7	45.8	8.0	M12-1.75P	40.0	45.8	35.0	M6x1.0P-2
DN32	1-1/4"	32.0	102.4	54.5	145.0	76.0	17.3	46.2	8.0	M12-1.75P	49.0	47.2	38.0	W1/4-20
DN40	1-1/2"	38.1	109.0	54.5	189.0	84.5	20.1	51.7	10.0	M16-2.0P	55.0	47.0	38.0	W1/4-20
DN50	2"	50.0	125.3	62.2	189.0	95.0	20.0	52.7	10.0	M16-2.0P	69.0	49.2	38.0	W1/4-20
DN65	2-1/2"	65.0	165.0	81.4	255.0	131.3	21.5	76.3	10.0	M16-2.0P	85.0	68.5	55.0	W1/4-20
DN80	3"	80.0	189.5	94.9	261.0	140.6	27.5	74.9	12.0	3/4-10P	102.0	69.5	55.0	W1/4-20