

Fig No: V-114H Reduced Bore
1/4"~ 2" DN15 ~ DN50



Features :

- One Piece Body
- Blow-Out-Proof Stem Design
- Bottom Entry Stem

Standard Compliance :

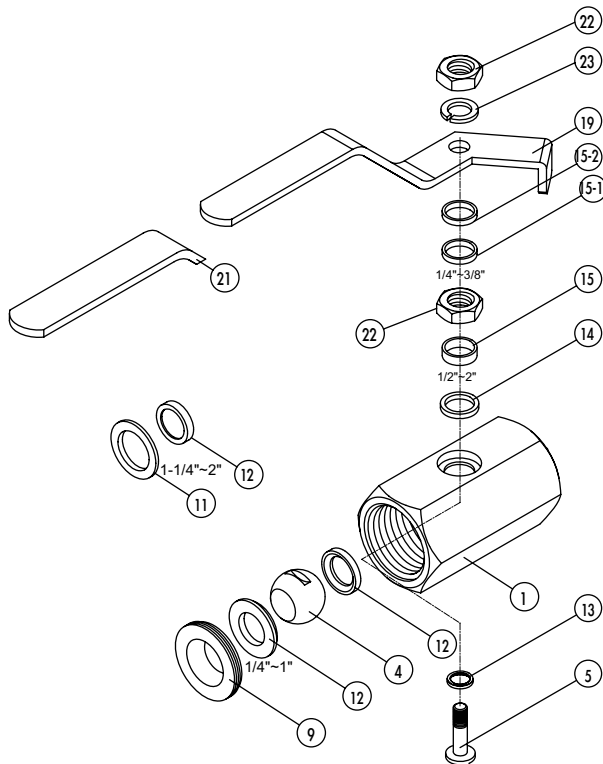
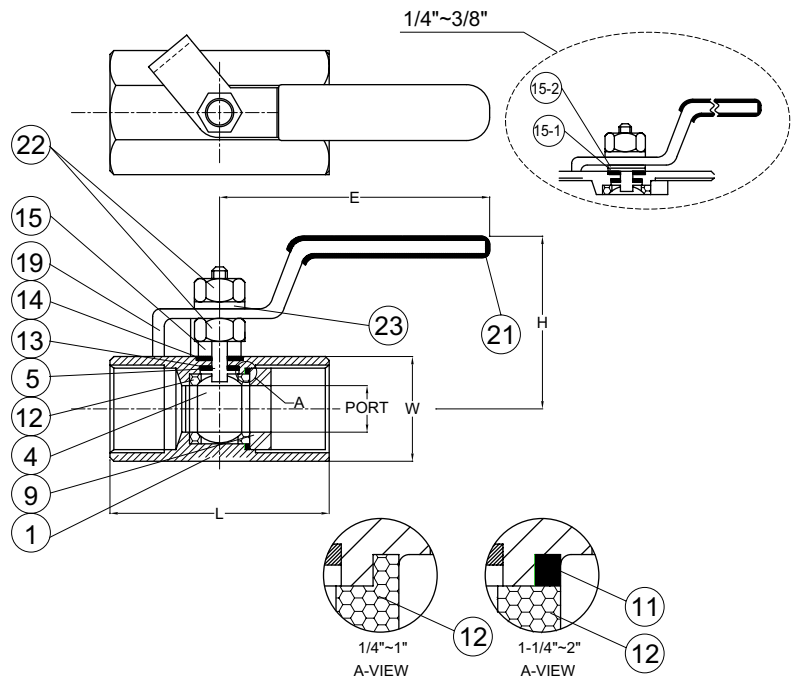
- ASTM ASME B16.34 API 598 EN 10213 EN 12516-1 EN 12266-1
- ANSI B 1.20.1(NPT) BS21(BSPP) BS21(BSPT) ISO 228-1
- ISO 7-1 DIN 2999

Specifications:

- End Connection : Threaded End
- Working Pressure : 1/4" ~ 1" 2000 Psi
 1-1/4" ~ 2" 1500 Psi
- Temperature Range : - 4 to 356°F / - 20 to 180°C
- Pressure Test According to API 598 or EN 12266

MATERIALS LIST

NO	PART NAME	MATERIAL
1	BODY	ASTM A105
4	BALL	ASTM A351 GR.CF8M
5	STEM	SS 316
9	INSERT	ASTM A105
11	BODY SEAL	PTFE.
12	SEAT	PTFE. +15%G.F.
13	THRUST WASHER	PTFE.
14	STEM PACKING	PTFE.
15	GLAND	ASTM A276 GR.304
15-1	GLAND WASHER	ASTM A240 GR.304
15-2	GLAND WASHER	ASTM A240 GR.304
19	HANDLE	ASTM A240 GR.304
21	HANDLE SLEEVE	PLASTIC
22	STEM NUT	ASTM A276 GR.304
23	SPRING WASHER	ASTM A240 GR.304



DIMENSIONS unit:mm

SIZE	PORT	L	E	H	W
1/4"	5.0	41.3	61.0	29.5	21.0
3/8"	7.2	46.0	79.0	34.5	23.0
1/2"	9.0	57.2	108.0	63.0	29.0
3/4"	12.5	65.1	110.0	65.0	35.0
1"	15.0	76.5	122.0	68.0	41.0
1-1/4"	20.0	92.1	145.0	79.5	55.0
1-1/2"	25.0	98.4	148.0	84.0	57.0
2"	32.0	114.3	148.0	92.5	73.5