

Fig no. V-158S Full Bore
1/4" ~ 4" DN 8- DN 100



Features :

- Investment Casting Component
- Blow out proof stem, ISO 5211 Direct mounting type
- In-line Maintenance
- For Chemical, Industrial Application
- Carbon Steel or Super Alloy upon request

Standard Compliance :

- Body wall thickness : EN 12516-1/2/3
- Socket Weld : B16.11
- Face to Face : MD's standard
- Body material : EN1503-1
- Pressure testing : EN 12266

Specification :

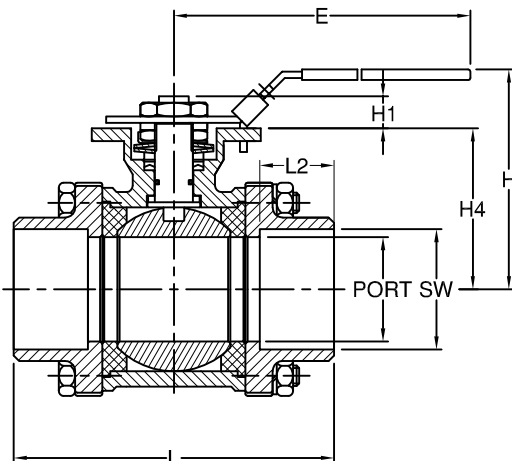
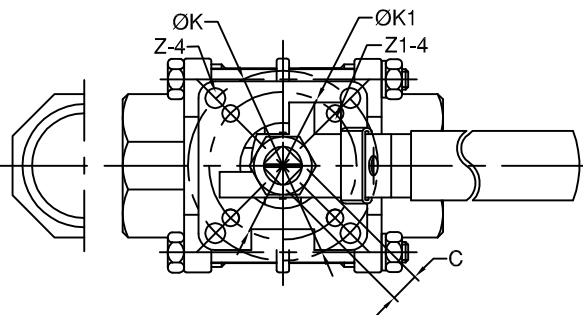
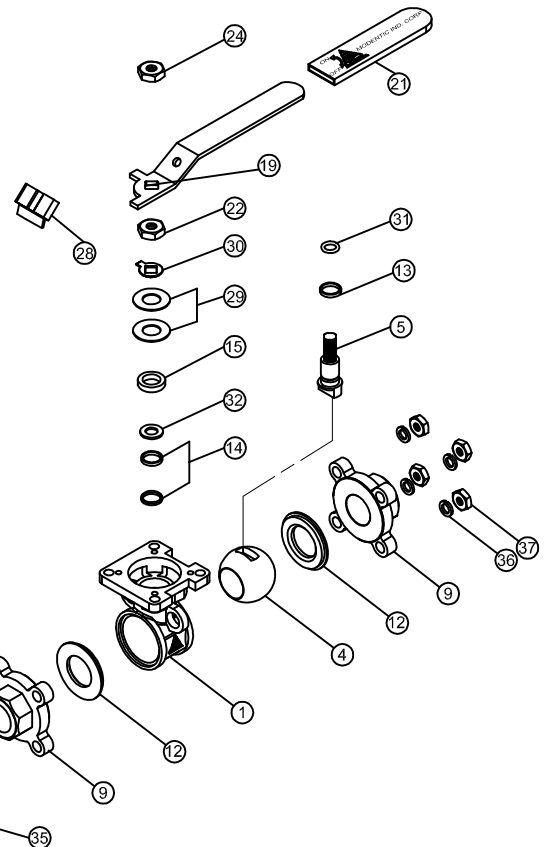
- End connection : Socket weld end
- Working Pressure : 63 bar (CWP) for DN8 - 50
 40 bar (CWP) for DN65- DN100
- Temperature : -20 to 180°C

Option :

- F to F length : DIN 3202 M3

MATERIALS LIST

NO.	PART NAME	MATERIAL
1	BODY	1.4408/EN1503-1
4	BALL	ASTM A351 Gr.CF8M
5	STEM	SS316
9	END CAP	1.4408/EN1503-1
12	SEAT	RTFE.
13	THRUST WASHER	RTFE.
14	STEM PACKING	RTFE.
15	GLAND BUSH	SS304
19	HANDLE	SS304
21	HANDLE COVER	PLASTIC
22	STEM NUT	SS304
24	HANDLE NUT	SS304
28	LOCKING PAD	SS304
29	BELLEVILLE WASHER	SS304-CSP
30	TAB WASHER	SS304
31	O-RING	VITON
32	PACKING FOLLWER	PTFE.+25%GF
35	BODY BOLT	SS304
36	BOLT WASHER	SS304
37	BOLT NUT	SS304



DIMENSIONS

SIZE	PORT	L	L2	E	H	H1	H4	C	ØK	ØK1	Z-4	Z1-4	SW	
DN8	1/4"	11.5	63.5	10.0	112.0	73.0	8.5	37.0	9.0	50.0	36.0	7.0	6.0	14.2
DN10	3/8"	12.5	63.5	10.0	112.0	73.0	8.5	37.0	9.0	50.0	36.0	7.0	6.0	17.5
DN15	1/2"	15.0	63.5	10.0	112.0	73.0	8.5	37.0	9.0	50.0	36.0	7.0	6.0	21.8
DN20	3/4"	20.0	72.5	13.0	112.0	80.8	8.5	45.0	9.0	50.0	36.0	7.0	6.0	27.4
DN25	1"	25.0	81.0	13.0	136.0	90.5	11.4	53.5	9.0	50.0	36.0	7.0	6.0	34.1
DN32	1-1/4"	32.0	94.5	13.0	185.0	98.7	11.4	59.0	9.0	50.0	36.0	7.0	6.0	42.7
DN40	1-1/2"	38.0	108.0	13.0	197.9	115.3	14.0	74.8	14.0	70.0	50.0	9.0	7.0	49.0
DN50	2"	50.0	121.5	16.0	197.9	124.0	13.7	83.5	14.0	70.0	50.0	9.0	7.0	61.0
DN65	2-1/2"	65.0	157.5	16.0	267.0	155.0	18.0	108.8	17.0	102.0	70.0	11.0	9.0	77.0
DN80	3"	80.0	190.0	16.0	267.0	208.5	18.0	118.3	17.0	102.0	70.0	11.0	9.0	90.2
DN100	4"	100.0	225.0	22.0	322.0	216.7	18.0	153.8	17.0	102.0	70.0	11.0	9.0	115.3