



Two Piece Hexagon Type Screwed Forged Ball Valves, Reduced Bore, 2000/1500 Psi

Fig No: V-616 2 Piece Ball Valves
1/4" ~ 2" DN15 ~ DN50



Features :

Two Piece Body
Blow-Out-Proof Stem Design
Bottom Entry Stem

Standard Compliance :

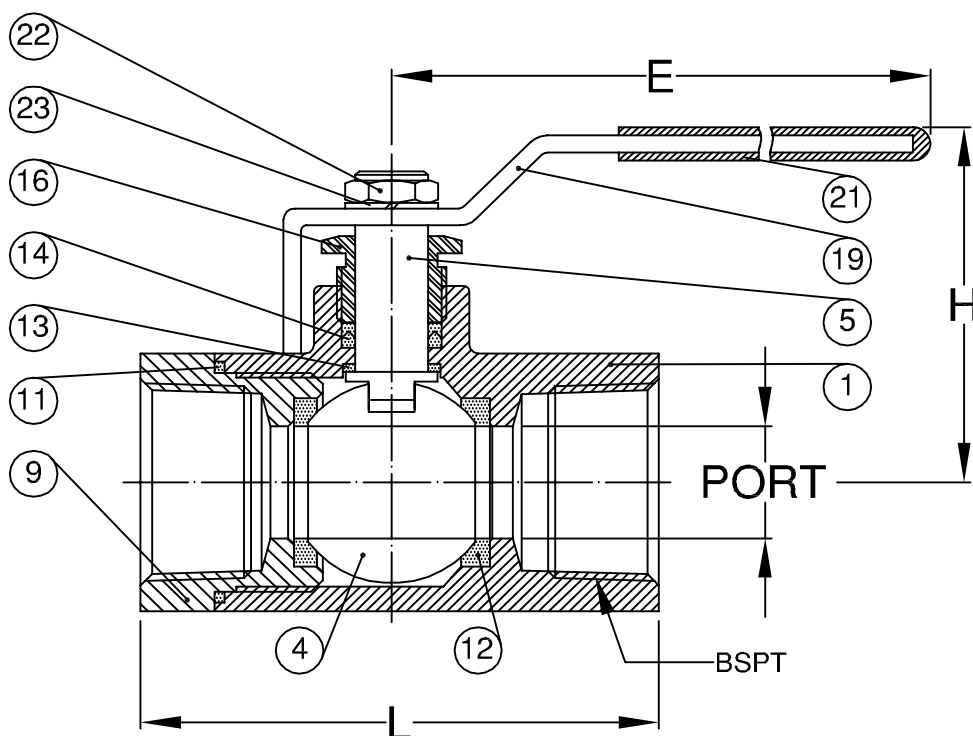
ASTM ASME B16.34 API 598 EN 10213 EN 12516 -1 EN 12266-1
ANSI B 1.20.1(NPT) BS21(BSPP) BS21(BSPT) ISO 228-1
ISO 7-1 DIN 2999

Specifications:

End Connection : Threaded End

Working Pressure : 1/4" ~ 1" 2000 Psi
1-1/4" ~ 2" 1500 Psi

Temperature Range : - 4 to 356°F / - 20 to 180°C
Pressure Test According to API 598 or EN 12266



MATERIALS LIST

NO.	PART NAME	MATERIAL
1	BODY	A105
4	BALL	ASTM A351 Gr.CF8M
5	STEM	SS316
9	CAP	A105
11	BODY SEAL	PTFE.
12	SEAT	PTFE+25%G.F.+5%C
13	THRUST WASHER	RPTFE.
14	STEM PACKING	RPTFE.
16	GLAND NUT	SS304
19	HANDLE	SS304
21	HANDLE COVER	PLASTIC
22	STEM NUT	SS304
23	HANDLE WASHER	SS304

DIMENSIONS

SIZE		PORT	L	E	H	CV	Torque (kgf-cm)	Weight (kg)
DN8	1/4"	10.0	57.5	105.0	45.5	10.0	30.0	0.35
DN10	3/8"	10.0	57.5	105.0	45.5	10.0	30.0	0.34
DN15	1/2"	12.7	57.5/(73)	105.0	45.5	12.0	30.0	0.32
DN20	3/4"	15.0	75.0	125.0	56.5	15.0	100.0	0.63
DN25	1"	20.0	90.0	125.0	62.0	40.0	150.0	1.06
DN32	1-1/4"	25.0	103.0	145.0	72.0	70.0	200.0	2.25
DN40	1-1/2"	32.0	115.0	145.0	72.0	120.0	350.0	2.34
DN50	2"	38.0	138.0	205.0	83.5	240.0	400.0	3.30