



3 Piece Fire Safe Forged Ball Valves, Reduced Bore, 1500psi

Fig No:V-755 Reduced Bore

1/4"~2" DN8~DN50

1500psi



MATERIAL LIST

ITEM	PARTS	MATERIAL	QTY
1	BODY	ASTM A105	1
4	BALL	SS.316	1
5	STEM	SS.316	1
9	CAP	ASTM A105	2
11	BODY SEAL	GRAPHITE	2
12	SEAT	PTFE.+15%GLASS FILLED	2
13	THRUST WASHER	PTFE. 35% CARBON FILLED	1
15	GLAND	SS.316	1
17	GLAND PACKING	GRAPHITE	1
19	HANDLE	SS.304	1
21	HANDLE COVER	VINYL PLASTIC	1
22	STEM NUT	SS.316	2
23	SPRING WASHER	SS.304	1
29	BELLEVILLE WASHER	STAINLESS STEEL	1
30	TAB WASHER	SS.304	1
35	BODY BOLT	SS.304	8

Features :

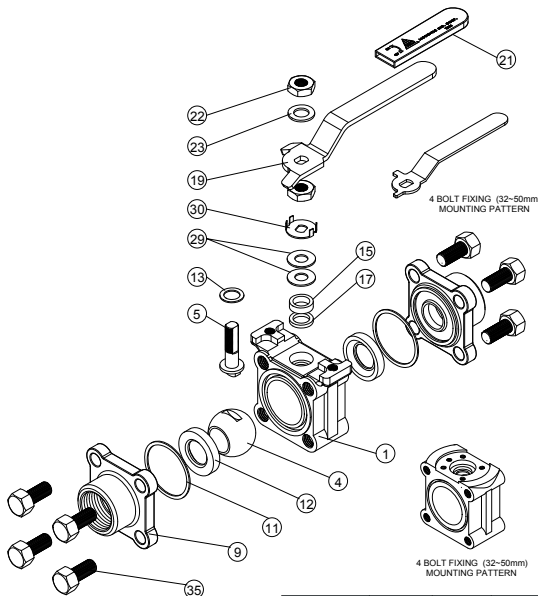
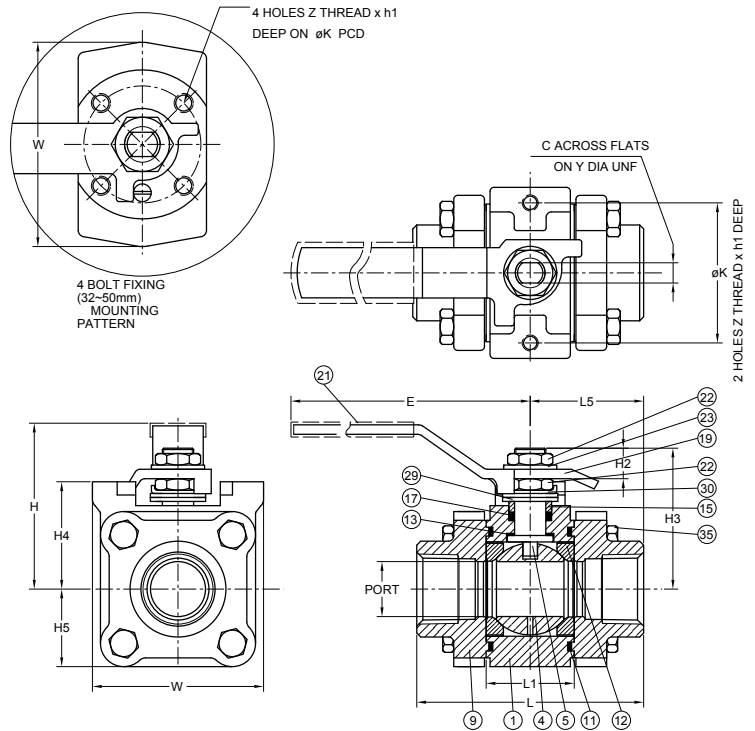
- API 607 6th Fire Safe Approved
- Forged Steel components
- Blow-Out-Proof Stem Design, Antistatic Device
- Four Point ISO 5211 mounting Pad Bolt Circle
- In-Line Repairable
- Available carbon and Stainless Steel construction

Standard Compliance :

- ASME B16.34
- ASME B1.20.1
- ISO228-1, DIN2999, BS21
- ASME B16.11
- ASME B16.25
- PED 97/23/EC
- API 607
- API 598

Specifications :

- End connection: Threaded, Socket weld, Butt weld
- Working Pressure: 1500psi
- Temperature range: -4° to 356°F (-20° to 480°C)



DIMENSIONS

unit:mm

SIZE	PORT	L	L1	L5	E	H	H2	H3	H4	H5	h1	C (Max)	Y	W	ØK	Z
1/4"~1/2"	11.1	65.4	20.7	32.7	136.0	58.0	10.5	38.0	26.6	24.2	9.5	5.5	3/8 U.N.F	59.1	48.0	M6
3/4"	14.3	71.0	24.5	35.5	136.0	60.3	10.5	40.4	29.0	27.6	9.5	5.5	3/8 U.N.F	65.1	54.0	M6
1"	20.6	93.7	31.8	46.9	149.0	64.8	15.0	55.6	38.0	33.0	9.7	7.5	7/16 U.N.F	78.5	63.5	M8
1-1/4"	25.4	106.0	41.3	53.0	149.0	69.6	15.0	60.3	37.1	36.7	7.5	7.5	7/16 U.N.F	73.4	42.0	M5
1-1/2"	31.8	114.6	48.3	57.3	181.0	77.9	18.2	73.0	44.0	42.7	9.0	8.7	9/16 U.N.F	85.4	50.0	M6
2"	38.1	127.1	72.7	63.6	181.0	82.6	18.2	77.8	48.7	47.8	9.0	8.7	9/16 U.N.F	95.6	50.0	M6