

Fig No. V-103H Reduced Bore
1/4" ~ 2" DN8 ~ 50

Features :

One Piece Hex. body design
 Investment cast Component, Blow-out-proof Stem
 For Industrial, chemical application
 Carbon Steel & Super Alloy upon request

Standard Compliance :

Body wall thickness : EN 12516-1/3
 Threaded end : BS 21 (BSP)
 BSPT
 ISO 228-1
 DIN 2999
 ISO7-1Rp
 Face to Face : MD's Standard
 Body Material : EN 1503-1
 Pressure Testing : EN12266

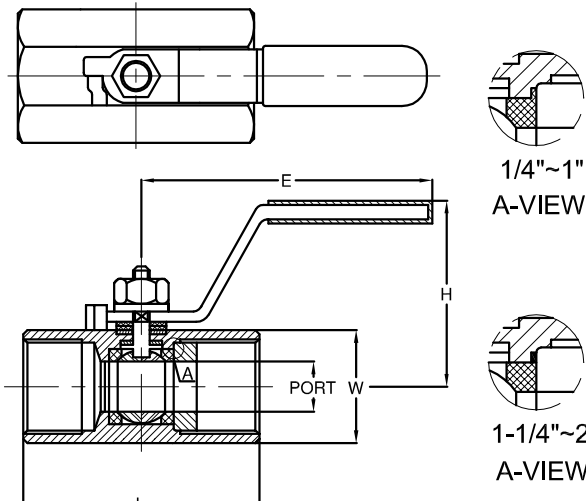
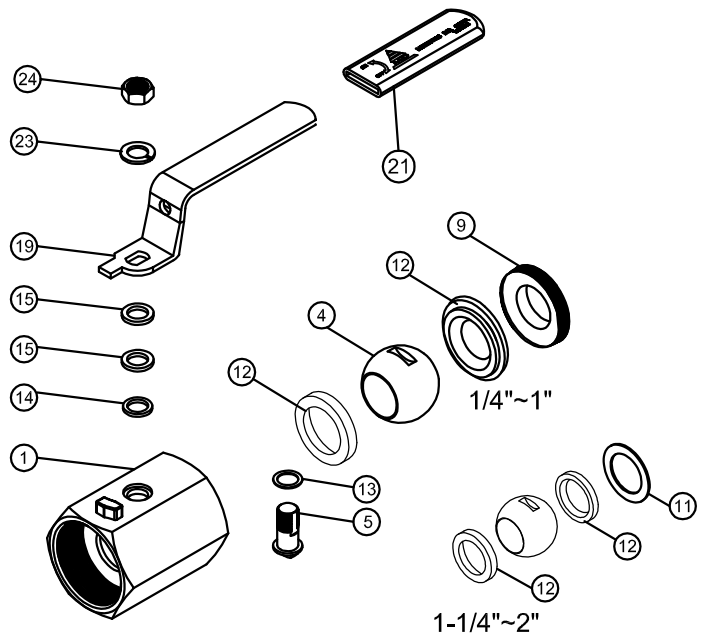
Specification

End Connection : Threaded end
 Working Pressure : 140 Bar (CWP) for DN8-25
 125 Bar (CWP) for DN32-50
 Temperature : -20 ~ 180⁰ C

MATERIALS LIST

NO.	PART NAME	MATERIAL
1	BODY	1.4408/EN1503-1
4	BALL	SS316/CF8M
5	STEM	SS316
9	INSERT	1.4408/EN1503-1
11	BODY SEAL	PTFE.
12	SEAT	PTFE.
13	THRUST WASHER	PTFE.
14	STEM PACKING	PTFE.
15	GLAND WASHER	SS304
19	HANDLE	SS304
21	HANDLE COVER	PLASTIC
23	SPRING WASHER	SS304
24	HANDLE NUT	SS304

BALL - SS 316 1/4"-1/2" CF8M 3/4"-2"



DIMENSIONS

unit:mm

SIZE	PORT	L	E	H	W
DN8	1/4"	5.0	39.0	70.0	17.0
DN10	3/8"	7.2	44.0	81.5	21.0
DN15	1/2"	9.2	56.5	97.0	25.0
DN20	3/4"	12.5	59.0	97.0	32.0
DN25	1"	15.0	71.0	101.0	38.0
DN32	1-1/4"	20.0	78.0	101.0	48.0
DN40	1-1/2"	25.0	83.0	146.0	53.0
DN50	2"	32.0	98.0	146.0	64.0