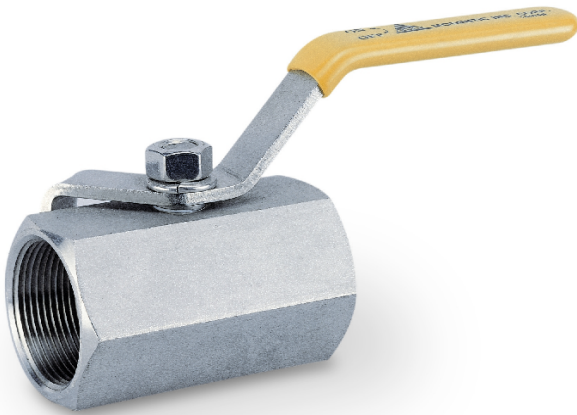


Fig No. V-104H Reduced Bore
1/4" ~ 2" DN8 ~ 50



Features :

One Piece Hex. body design
 Investment cast Component, Blow-out-proof Stem
 For Industrial, chemical application
 Carbon Steel & Super Alloy upon request

Standard Compliance :

Body wall thickness : EN 12516-1/3
 Threaded end : BS 21 (BSP)
 BSPT
 ISO 228-1
 DIN 2999
 ISO7-1Rp
 Face to Face : MD's Standard
 Body Material : EN 1503-1
 Pressure Testing : EN12266

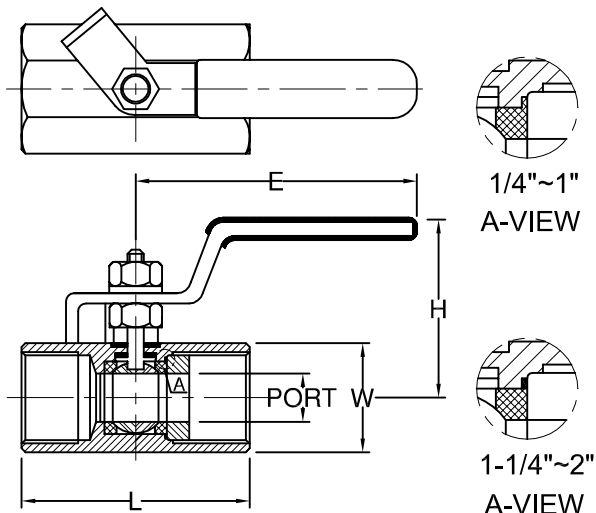
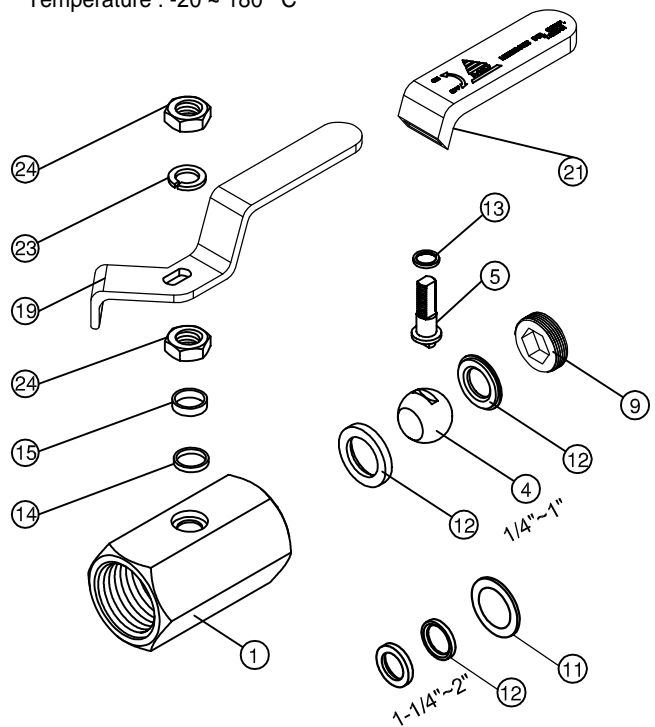
Specification

End Connection : Threaded end
 Working Pressure : 140 Bar (CWP) for DN8-25
 100 Bar (CWP) for DN32-50
 Temperature : -20 ~ 180 °C

MATERIAL LIST

NO.	PART NAME	MATERIAL
1	BODY	1.4408/EN1503-1
4	BALL	SS316/CF8M
5	STEM	SS316
9	INSERT	1.4408/EN1503-1
11	BODY SEAL	PTFE.
12	SEAT	PTFE.+15%G.F.
13	THRUST WASHER	PTFE.
14	STEM PACKING	PTFE.
15	GLAND BUSHING	SS304
19	HANDLE	SS304
21	HANDLE COVER	PLASTIC
23	SPRING WASHER	SS304
24	HANDLE NUT	SS304

BALL - SS 316 1/4"-1/2" CF8M 3/4"-2"



DIMENSION

unit:mm

SIZE	PORT	L	E	H	W	
DN8	1/4"	5.0	39.0	61.0	29.5	21.0
DN10	3/8"	7.2	44.0	79.0	34.5	23.0
DN15	1/2"	9.2	56.2	108.0	56.0	29.0
DN20	3/4"	12.5	65.1	110.0	65.0	35.0
DN25	1"	15.0	76.2	122.0	68.0	41.0
DN32	1-1/4"	20.0	92.1	145.0	79.5	55.0
DN40	1-1/2"	24.5	98.4	148.0	84.0	57.0
DN50	2"	32.0	114.3	148.0	92.5	73.5